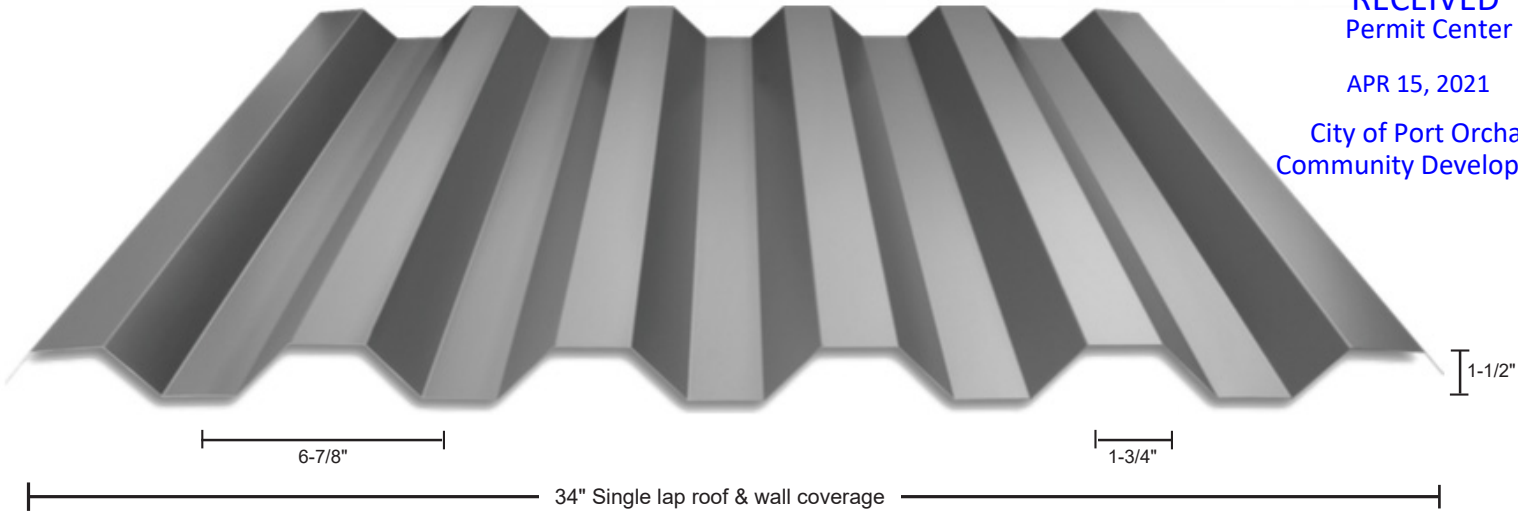




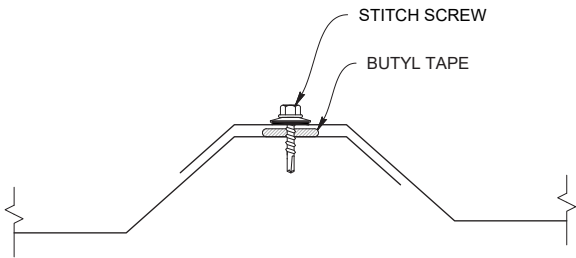
RECEIVED
Permit Center

APR 15, 2021

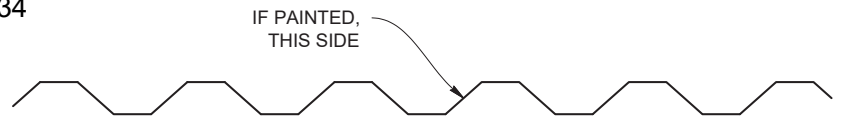
City of Port Orchar
Community Developm



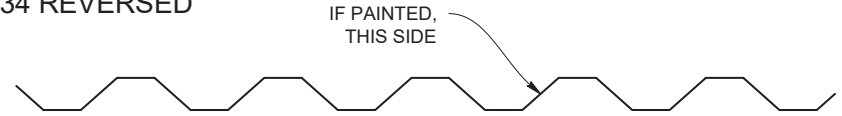
LAP DETAIL



HR-34



HR-34 REVERSED



KEY FEATURES

- 26, 24 & 22 gauge Tru-gauge™ and .032" Aluminum
- ASTM 283, 330, 331, 653 and 792
- UL 790 Class A Fire rated
UL 2218 Class 4 Impact (hail) rated
- Structural panel that will span up to 6'
- Custom lengths 1' to 45'
(For longer lengths, please inquire)
- Recommended minimum pitch 1:12 when used with field applied butyl mastic
- Long length flashings available up to 20'11"
- Panel is available in a wide variety of "Cool" baked on ArmorTech™ or "Cool" baked on Kynar 500® colors. Rusteel™ Plus (A606) and .032" Kynar 500® painted Aluminum
- Also available in 29 gauge Glacier White
- Easy-to-order standard and custom made trim and accessory packages available for specific project needs
- Color matched neoprene washered screws

Allowable Live Load in PSF			Span In Feet (steel only)					
SPAN TYPE	GAUGE	KSI	2'	2' 6"	3'	4'	5'	6'
SINGLE SPAN	22	50	806	516	358	202	129	90
DOUBLE SPAN	22	50	806	516	358	202	129	90
THREE OR MORE SPANS	22	50	1008	645	448	252	161	112
SINGLE SPAN	24	50	636	407	283	159	102	71
DOUBLE SPAN	24	50	627	401	348	157	100	70
THREE OR MORE SPANS	24	50	784	502	358	196	125	87
SINGLE SPAN	26	80	545	349	242	136	87	61
DOUBLE SPAN	26	80	514	329	229	129	82	57
THREE OR MORE SPANS	26	80	643	411	286	161	103	71

MATERIAL SPECIFICATIONS

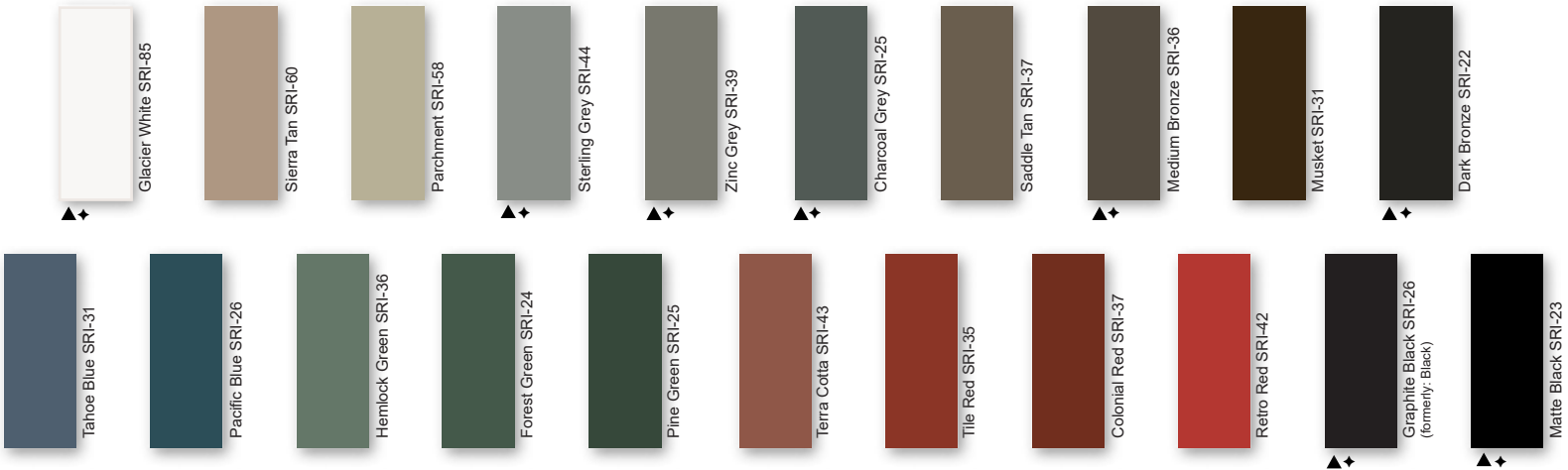
- 26 gauge ArmorTech™ Painted Steel .019" (Thickness prior to painting) G-90 Galvanized or AZ-50
- 24 gauge Kynar 500® Painted Steel .0236" (Thickness prior to painting) G-90 Galvanized or AZ-50
- 26, 24 & 22 gauge bare Zincolume® Plus, AZ-55 (No finish warranty – 25 yr. perforation warranty)
- ▲ 22 gauge Kynar 500® Painted Steel .029" (Thickness prior to painting) G-90 Galvanized or AZ-50
- ◆ .032" Kynar 500® Painted Aluminum
- 26 gauge bare G-90 Galvanized (No finish warranty – 25 yr. perforation warranty)
- 22 gauge Rusteel Plus™ (A606)
- Kynar 500® and substrate testing data available (See website)

STANDARD COOL ARMORTECH™ SMP COLORS
40-Year Residential Manufacturer's Limited Warranty

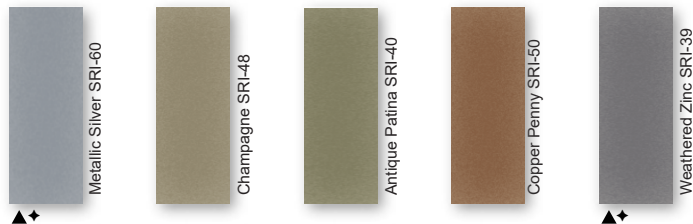


40-Year Residential / 20 and 30 Year Commercial Manufacturer's Limited Warranty

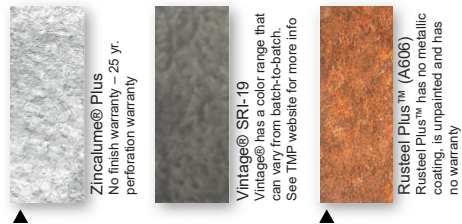
STANDARD COOL KYNAR 500® COLORS



PREMIUM METALLIC COOL KYNAR® COLORS



SPECIALIZED MATERIAL



These printed chips provide a close representation of the colors.

Metal samples are available upon request. Coatings are low gloss 10-15% sheen. SRI = Solar Reflective Index. SRI values listed above are in accordance with ASTM E 1980 and are based on actual testing. ***Oil canning is not a cause for material rejection***

Standard Panels			
Gauge	Color	LBS SQFT	LBS LF
26	ArmorTech	1.02	2.92
24	Kynar	1.2	3.45
22	▲	1.51	4.33
.032 Alum	◆	.56	1.62





HR-34 Roof & Wall Panel

4566 RIDGE DRIVE NE
SALEM, OR 97301

SECTION PROPERTIES										ALLOWABLE UNIFORM LOADS, psf For various fastener spacings (i.e. span values)															
Ga.	Width in.	Yield ksi	Weight psf	Top in Compression			Bottom in Compression			Inward Load					Outward Load										
				I_{xx} in ⁴ /ft.	$I_{xx(eff)}$ in ⁴ /ft.	S_{xx} in ³ /ft.	I_{xx} in ⁴ /ft.	$I_{xx(eff)}$ in ⁴ /ft.	S_{xx} in ³ /ft.	2.5'	3'	3.5'	4'	4.5'	5'	9'	10'	2.5'	3'	3.5'	4'	4.5'	5'	9'	10'
26	34	80	0.96	0.0702	0.0694	0.0699	0.0675	0.0683	0.0830	447.4	310.7	228.2	174.8	138.1	111.8	34.5	28.0	531.2	368.9	271.0	207.5	164.0	132.8	41.0	33.2
24	34	50	1.18	0.1060	0.1067	0.1233	0.1085	0.1078	0.1337	493.2	342.5	251.6	192.6	152.2	123.3	38.1	30.8	534.8	371.4	272.9	208.9	165.1	133.7	41.3	33.4
22	34	50	1.46	0.1307	0.1317	0.1539	0.1343	0.1333	0.1681	615.6	427.5	314.1	240.5	190.0	153.9	47.5	38.5	672.4	466.9	343.1	262.7	207.5	168.1	51.9	42.0
20	34	33	1.76	0.1767	0.1777	0.2140	0.1802	0.1792	0.2200	513.6	356.7	262.0	200.6	158.5	128.4	39.6	31.2	513.6	356.7	262.0	200.6	158.5	128.4	39.6	32.1

- Theoretical section properties have been calculated per AISI 2012 North American Specification for the Design of Cold-Formed Steel Structural Member. I_{xx} and S_{xx} are effective section properties for deflection and bending.
- Allowable load is calculated in accordance with AISI 2012 specifications considering bending, shear, combined bending and shear and deflection. Allowable load considers a 3 or more equal span condition.
- Allowable load does not address web crippling, fasteners, connection strength or support material.
- Panel weight is not considered.
- Load/Span values are based on theoretical computations and not load testing.
- Deflection is **not** considered.
- Allowable loads do not include a 1/3 stress increase for wind.

SECTION PROPERTIES										ALLOWABLE UNIFORM LOADS, psf For various fastener spacings (i.e. span values)															
Ga.	Width in.	Yield ksi	Weight psf	Top in Compression			Bottom in Compression			Inward Load					Outward Load										
				I_{xx} in ⁴ /ft.	$I_{xx(eff)}$ in ⁴ /ft.	S_{xx} in ³ /ft.	I_{xx} in ⁴ /ft.	$I_{xx(eff)}$ in ⁴ /ft.	S_{xx} in ³ /ft.	2.5'	3'	3.5'	4'	4.5'	5'	9'	10'	2.5'	3'	3.5'	4'	4.5'	5'	9'	10'
26	34	80	0.96	0.0702	0.0694	0.0699	0.0675	0.0683	0.0830	447.4	310.7	228.2	174.8	138.1	111.8	25.1	18.3	531.2	368.9	271.0	207.5	164.0	132.8	24.7	18.0
24	34	50	1.18	0.1060	0.1067	0.1233	0.1085	0.1078	0.1337	493.2	342.5	251.6	192.7	152.2	123.3	38.1	28.1	534.8	371.4	272.9	208.9	165.1	133.7	38.9	28.4
22	34	50	1.46	0.1307	0.1317	0.1539	0.1343	0.1333	0.1681	615.6	427.5	314.1	240.5	190.0	153.9	47.5	34.7	672.4	466.9	343.1	262.7	207.5	168.1	48.2	35.1
20	34	33	1.76	0.1767	0.1777	0.2140	0.1802	0.1792	0.2200	513.6	356.7	262.0	200.6	158.5	128.4	39.6	32.1	528.0	366.7	269.4	206.3	163.0	132.0	40.7	33.0

- Theoretical section properties have been calculated per AISI 2012 North American Specification for the Design of Cold-Formed Steel Structural Member. I_{xx} and S_{xx} are effective section properties for deflection and bending.
- Allowable load is calculated in accordance with AISI 2012 specifications considering bending, shear, combined bending and shear and deflection. Allowable load considers a 3 or more equal span condition.
- Allowable load does not address web crippling, fasteners, connection strength or support material.
- Panel weight is not considered.
- Load/Span values are based on theoretical computations and not load testing.
- Deflection consideration is limited by a maximum deflection ratio of L/120 of span.
- Allowable loads do not include a 1/3 stress increase for wind.

SECTION PROPERTIES										ALLOWABLE UNIFORM LOADS, psf For various fastener spacings (i.e. span values)															
Ga.	Width in.	Yield ksi	Weight psf	Top in Compression			Bottom in Compression			Inward Load					Outward Load										
				I_{xx} in ⁴ /ft.	$I_{xx(eff)}$ in ⁴ /ft.	S_{xx} in ³ /ft.	I_{xx} in ⁴ /ft.	$I_{xx(eff)}$ in ⁴ /ft.	S_{xx} in ³ /ft.	2.5'	3'	3.5'	4'	4.5'	5'	9'	10'	2.5'	3'	3.5'	4'	4.5'	5'	9'	10'
26	34	80	0.96	0.0702	0.0694	0.0699	0.0675	0.0683	0.0830	447.4	310.7	228.2	174.8	134.0	97.5	16.7	12.2	531.2	368.9	271.0	187.3	131.6	95.9	16.5	12.0
24	34	50	1.18	0.1060	0.1067	0.1233	0.1085	0.1078	0.1337	493.2	342.5	251.6	192.7	152.2	123.3	25.7	18.7	534.8	371.4	272.9	208.9	165.1	133.7	26.0	18.9
22	34	50	1.46	0.1307	0.1317	0.1539	0.1343	0.1333	0.1681	615.6	427.5	314.1	240.5	190.0	153.9	31.7	23.1	672.4	466.9	343.1	262.7	207.5	168.1	32.1	23.4
20	34	33	1.76	0.1767	0.1777	0.2140	0.1802	0.1792	0.2200	513.6	356.7	262.0	200.6	158.5	128.4	39.6	31.2	528.0	366.7	269.4	206.3	162.7	132.0	40.7	31.5

- Theoretical section properties have been calculated per AISI 2012 North American Specification for the Design of Cold-Formed Steel Structural Member. I_{xx} and S_{xx} are effective section properties for deflection and bending.
- Allowable load is calculated in accordance with AISI 2012 specifications considering bending, shear, combined bending and shear and deflection. Allowable load considers a 3 or more equal span condition.
- Allowable load does not address web crippling, fasteners, connection strength or support material.
- Panel weight is not considered.
- Load/Span values are based on theoretical computations and not load testing.
- Deflection consideration is limited by a maximum deflection ratio of L/180 of span.
- Allowable loads do not include a 1/3 stress increase for wind.



EXPIRES 09-16-2018



CHAMPION METAL
a Taylor Metal Company

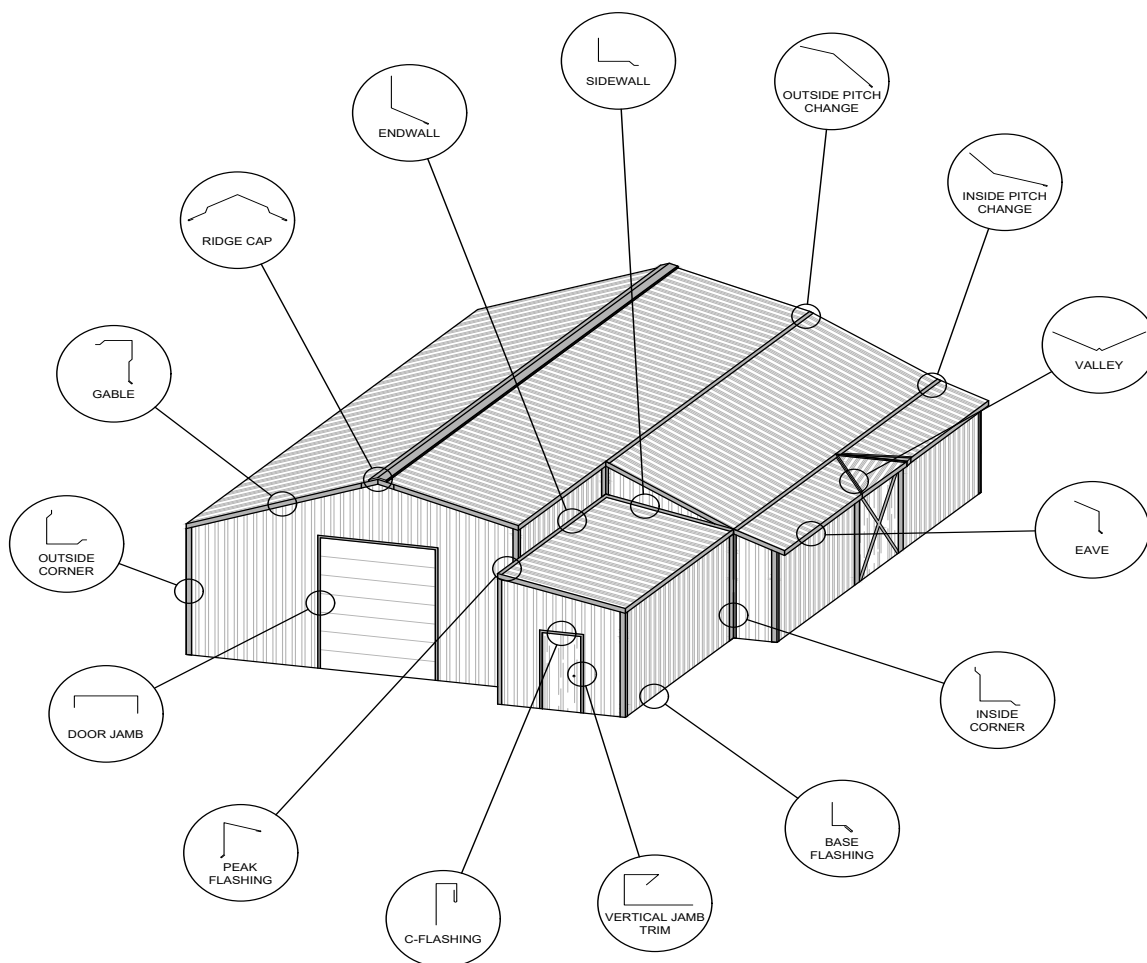
Through Fastener Installation Guide



**Ultra Panel ~ Hi-Rib ~ Wide-Rib™ ~ GR-7™ ~
HR-34™ ~ 4-V ~ PBR ~ Marion "R" Panel™ ~
2.5" Corrugated & Classic 7/8" Corrugated™**

Table of Contents

Introduction	1	Flashing Applications:	
Notes To Designer/Installer	2-4	Hip/Ridge Detail	11
Taylor Delivery Fleet	5	Vented Ridge Detail	12
Delivery & Will Call/Loading	6	W-Valley Detail	13
Tools/Equipment	7	Eave Detail	14
Fasteners	8-9	Gable Detail	15
Panel Profile Chart	10	Peak Flashing Detail	16
<u>Flashing Applications</u>	11-27	Sidewall Detail	17
Flashing Selections:		Endwall Detail	18
Ultra-Rib, Hi-Rib, Wide-Rib™,		Panel Lapping Detail	19
GR-7™, 4-V	28-34	Short Panel End Lap	20
PBR, Marion "R" Panel™	35-39	Long Panel End Lap	21
2.5" Corrugated.....	40-45	Base & C-Flashing Detail	22
Classic 7/8" Corrugated™	46-49	Inside Corner Detail	23-24
HR-34™	50-53	Outside Corner Detail	25-26
Accessories	54-57	Pitch Change Detail	27



Champion Metal, Taylor Metal Company is a locally owned and operated business. Since 1978 we have combined the most rigorous quality standards and exceptional service to deliver what is widely stated as the most time-tested and valued roof and wall system in the industry. At Champion Metal we listen to our customers, this is how we have become the supplier of choice to many in the industry. Our entire team is always committed to taking whatever steps necessary to meet your needs.

We have an exceptionally skilled and motivated team. Our employees, some of whom have been with Champion Metal for more than a dozen years, take great pride in their work and it shows in each and every order we produce.

The team at Champion Metal goes far beyond just taking your order. We will work with all parties involved in the building process to determine the most appropriate materials, flashing designs, and installation procedures to ensure you have a building solution to last a lifetime.

We offer high-quality SMP and top of the line Kynar 500® paint systems, with "Cool Color" technology and a complete line of standard flashing and accessories. In addition, we offer affordable, custom-made flashings for all your project needs.

No attempt is made to provide installation details for every application or possible use. Conformity to local building codes, details for specific applications, and use of safety and health procedures is the sole responsibility of the installer. Champion Metal, assumes no liability for the improper installation of the product nor for any personal injury or property damage that may occur with the product's use.

We invite you to call us today at **855-334-8558** or **425-485-3003** for product or technical information.

Notes to Designer/Installer

Champion Metal, a Taylor Metal Company is providing the following details as an aid in design. The details in this guide are not inclusive to all design situations. The designer/installer is responsible for modifications and should take into consideration all aspects of the project including climate conditions, such as, snow and wind, as well as, building code requirements, building design, building usage and maintenance requirements.

Installation should be performed only by qualified installers familiar with metal roofing systems and industry standards.

The Standard gauge for all products in this guide is 26 gauge and the standard finish is ArmorTech™ SMP. We recommend specifying all flashings be the same gauge, color, and finish as the panels to ensure long-term durability and color match.

Substrates

Details in the manual are all shown over solid substrate. Panels can be used over spaced purlins. For solid substrate, Champion Metal/TMP recommends 5/8" plywood.

Underlayment

Minimum underlayment requirements are 30 lb. ASTM rated felt, a synthetic underlayment with Class A and ASTM UV protection technology or a high temperature self-adhering rubberized membrane. When choosing the underlayment, consider the roof slope, roof design, roof panel, and the climate.

Ventilation/Insulation

It is the responsibility of the designer to determine the material types needed to control condensation and to insulate and ventilate the roof system. Applications over rigid insulation may require blocking for solid attachment and framing the perimeter for installation of perimeter flashings.

Oil Canning

All light gauge metals can display waviness often referred to as "oil canning." Oil canning is caused by a variety of conditions, including steel mill tolerances, substrate variations or unevenness and roofing underlayments. Oil canning is an inherent characteristic of metal roofing, not a defect and is not a cause for material rejection.

Thermal Movement

The Panels and the flashings must be allowed to expand and contract, especially with longer length panels.

Snow Design

The following details do not address all conditions for snow environments. Consult with the designers, engineers, and others for acceptable details to accommodate your project and climate conditions. When possible gutters, valleys, pitch changes or other penetrations should be minimized in snow areas.

All roof penetrations should be located as close to the ridge or “pin point” top of roof. Snow country requires special designs for valleys to accommodate accumulation of snow and ice from uphill panels. Roof design should be considered in snow areas. Roof design should help resist the melting and freezing of snow and ice.

A fit for purpose roof design has the greatest impact on maintaining a damage free roof system in snow areas. Please contact a Champion Metal/ TMP representative for assistance in detail designs and appropriate panel selection for specific climate and building conditions.

Handling & Storage

Handle materials with care when off-loading or moving materials to avoid damage to panels or flashings. Long panels may require two or more pick-up points, properly spaced to avoid damaging panels. Plan ahead; contact Champion Metal/TMP for recommendations on handling/hoisting long panels.

Store the panels, flashings and accessories in a dry, well ventilated area, off the ground. If covering, allow ventilation around panels. Elevate one end of bundle to allow drainage of wet materials.

Wear clean, soft-soled shoes when walking on roofing panels to avoid damage to the painted finish.

Take care that sand, gravel, dirt, etc. sticking to your shoes is not carried onto the roof, scratching or otherwise damaging the finish on the roofing material. Walking on asphalt impregnated felt paper, especially on a hot day, can cause the asphalt to stick to your shoes and be tracked on to the roofing material.

Take care when painting to avoid getting over spray on the roofing material. Remember that wind can carry paint particles some distance. Over spray can cause the finish of the roofing material to look dull and may void your warranty.

Safety

Secure materials, especially when leaving the site, on the ground or roof to prevent winds from moving the materials. Wind-blown materials may cause damage to the material, property or persons.

Always use proper safety equipment and attire to minimize risk of cuts or other injuries.

Do not walk on panels that have not been completely installed.

Do not walk on major ribs of panels.

Metal roofs that are wet or dusty can be extremely slippery. Wear soft soled shoes and a safety harness to minimize risk of falling.

Avoid installing metal panels in windy conditions.

Safety considerations are the responsibility of the installer and his crew. Be sure to **use common sense** and generally accepted safety practices when installing roofing materials.



Taylor Delivery Fleet

Delivery Fleet

Champion Metal, a Taylor Metal Company prides itself with quick lead times delivered with our fleet of semi trucks. Our fleet of trucks are owned and operated by Champion Metal/TMP. All of our drivers are Champion Metal/TMP employees, so when your truck rolls in to deliver, you are dealing with Champion Metal/TMP. Expect consistent and exceptional service with short lead times. The inhouse fleet allows for efficient and cost-effective delivery.



Mounted on the rear of our semitrailer, the trailer-mounted "piggy-back" forklift will accompany you right to your place of use, opening up unprecedented possibilities in terms of transportation. It can travel sideways, carrying panels up to 40' long, allowing delivery in locations that would typically be considered impossible to reach.

Save time and effort while avoiding potential loading and transport issues; have experienced Champion Metal/TMP personnel deliver and unload your order.



Delivery

We will make every attempt to deliver material to the desired location. We may be unable to gain access on tight corners or steep terrain. If the site is deemed inaccessible by our driver, the customer may choose an alternate delivery site within a reasonable proximity. If we are unable to make the alternate delivery, additional charges may be assessed.

The customer is responsible for:

- Determining adequate access for delivery ahead of time.
- Meeting the delivery at the agreed upon time.
- Providing adequate resources (1-4 people as needed) for off loading materials. **A charge of \$100 per hour may be added for deliveries that go beyond their allotted time.**
- Checking the shipment at the time of delivery.
- Verifying material quantities against the shipping list.
- Noting any damage or discrepancies upon the paper work at the time of delivery and notifying Taylor Metal Products within 48 hours of delivery.

Delivery times are usually scheduled one day in advance. Champion Metal/TMP will make every effort to make the delivery at the scheduled time. Please be aware that there may be conditions beyond our control such as traffic, mechanical failures, road closures, etc. which may affect our schedule. If a delay is expected, you will be notified in advance of delivery.

Standard Packaging: Standard packaging is included in the panel price and is designed to insure your products are delivered free from damage. All roofing and siding orders are packaged for protection with steel cover sheets and banded with slotted band boards. Maximum weight per skid is 5000 lbs. for forklift unload.

Long Length Packaging: On orders 24' or longer, pallets will be used to ensure safe loading and unloading of panels. A refundable deposit of \$45.00 per 10' pallet, \$135.00 per 20' pallet or \$410.00 for a 30' pallet will be charged. Deposit will be refunded when pallet returned in good condition.

Additional Skid Packaging: When customer requests less than maximum weight per skid, additional packaging charges of \$1.25 per lineal foot of skid will be charged.

Will Call/Loading

Flatbed trailers and trucks are best suited to transport metal roofing materials. These can be loaded from the side with a forklift and tied down in a safe and secure manner.

We are not able to load materials onto vehicles and/or trailers which are not suitable or may be hazardous to load. Please be aware that if we find a vehicle to be inappropriate, we reserve the right to refuse to load your order.

Unacceptable examples include: boat trailers, vans, buses, motor homes, campers and box trailers. Pickup racks which do not have sufficient supports for the weight or are not long enough to support bundles are also unacceptable.

Champion Metal/TMP is **not** responsible to tie down loads nor do we provide any tie down materials. Please bring tie downs to secure your load (string or twine are **not** acceptable for this purpose).

Consider having your order delivered on one of our trucks with a piggy back forklift.



The following tools/safety equipment may be used for proper installation:

- Screw Gun: Clutch type, variable torque, cordless screw guns will give the best results.
 - Extra batteries
 - Bit holder - magnetic
 - #2 square drive bits or philips drive bits (for panel screws)
 - 1/4" Hex head - magnetic - bit driver (for woodfast flashing screws)
 - 1/8" drill bit (for rivets & pre-drilling fastener holes)
 - Belt & holster (keeps all the above tools safely on your hip)

Cutting Tools:

- Cutters/Offset (curved jaw) left & right (for precision cutting, long cuts)
- Snips (straight jaw) left & right (for short cuts & circular cuts)
- Electric Shears (aids in long panel rips)

CAUTION: POWER SAWS MAY CAUSE PANEL DAMAGE!

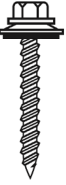
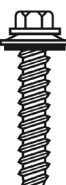

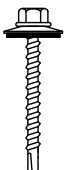

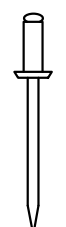
Champion Metal recommends cutting panels and flashings with tin snips or shears.

We do **NOT** recommend the use of saw blades or abrasive wheels - use may void warranties and reduce longevity, especially in marine environments.

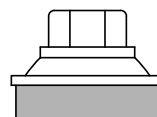
WARNING : Filings, debris and metal chips must be wiped off panels each day to avoid corroding the panels and causing rust specks or stains. Water can cause non-finished metal shaving to bind to panels after rust develops, damaging panels. Failure to properly install panels and remove debris may void the warranty.

- Other Tools:
 - DeBurring Tool
 - Hole Punch (for pre-punching holes in metal)
 - Rubber Mallet - SoftType (for adjusting panels & flashings)
 - Quick Square, Framing Square & Bevel Square (aids in squaring flashings & panels)
 - Duck Bill Vise Grips/Pliers (for various bending)
 - Upender Tools (used for panel-prep, available at Champion Metal/TMP)
 - Tape Measures
 - Rivet Tool (for riveting flashings)
 - Marking pen or grease pencil
 - Chalk Line (for marking long panel rips and to align panels)
 - Protective gloves to protect hands
 - Cotton gloves for working with copper (to protect against fingerprints on finish)
 - Ear plugs
 - Safety harness kit

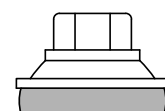
Champion Metal/TMP recommends the following fasteners:

FASTENER	DESCRIPTION	USE
	<p>Woodfast Screw #10 x 1", 1-1/2" 1/4" Hex Head Color Matched</p>	<p>#10 Woodfast screws are used to attach panel to dimensional lumber.</p>
	<p>Woodfast Screw #14 x 1", 1-1/2" 5/16" Hex Head Color Matched</p>	<p>#14 Woodfast screws are used to attach panel to plywood/ OSB.</p>
	<p>Stitch Screw #12 x 3/4" 1/4" Hex Head Color Matched</p>	<p>Stitch Screws are used to attach metal to metal such as lap joints, trim to trim, trim to panel and side lap attachment. They can be used interchangeably with rivits.</p>
	<p>Tek Screw #12 x 1", 1-1/2" 5/16" Hex Head</p>	<p>Tek Screws are used for attaching panels to metal purlins.</p>
	<p>Tek Screw #14 x 7/8" 5/16" Hex Head</p>	<p>Tek Screws are used for attaching panels to metal purlins.</p>
	<p>Rivets #43 (1/8" x 1/8") Stainless Steel rivet Color Matched or non-painted.</p>	<p>Rivets are used to attach metal to metal such as lap joints, trim to trim, trim to panel and side lap attachment.</p>

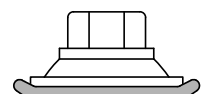
*Please note the illustrations (right) for proper fastener installation to ensure a weather-tight seal.



Under Tightened



Correctly Tightened

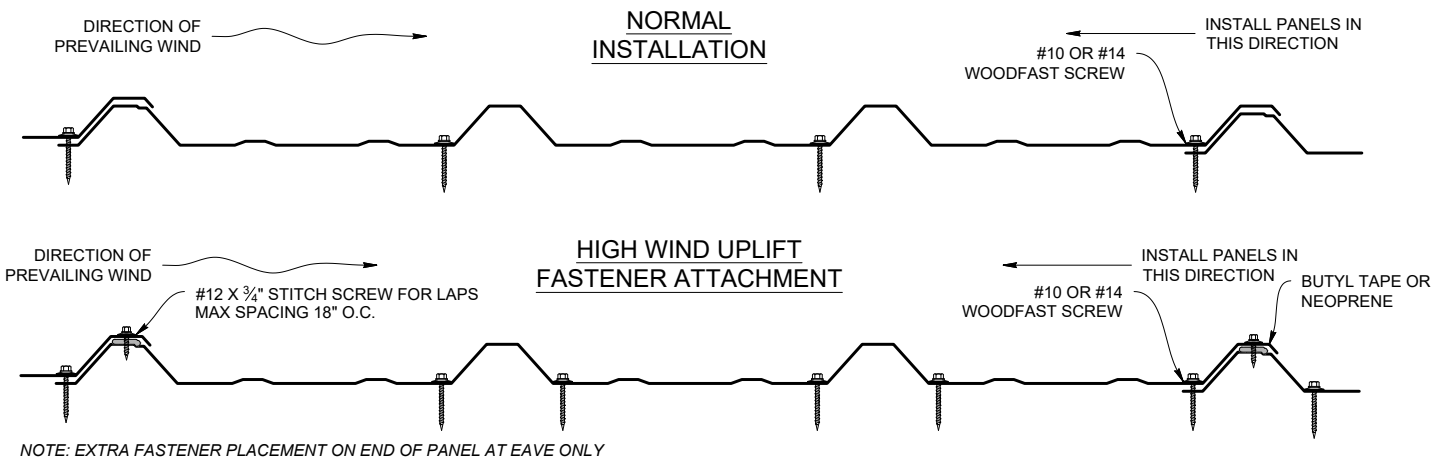


Over Tightened

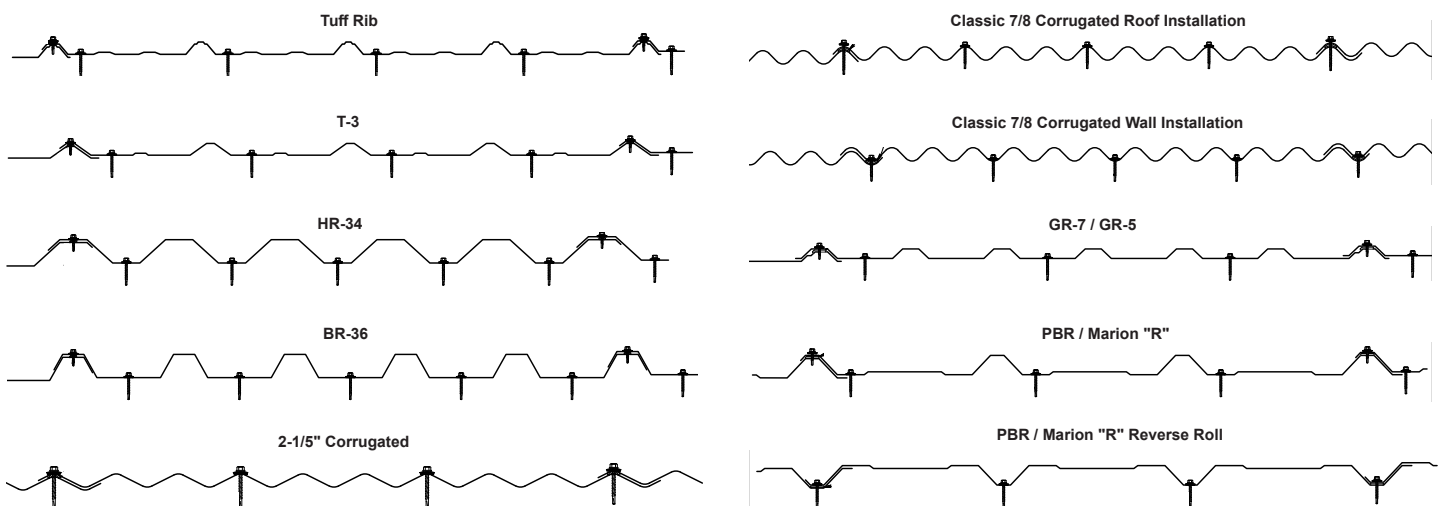
Fasteners

Notes:

- Fasteners should be installed according to the maximum recommended row spacing (see below.)
- Fasteners should be applied along each rib and to each purlin (see illustration below).
- In high wind areas the bottom row of panel fasteners should be applied with fasteners along both sides of each rib and on panel laps (see illustration below).
- When possible, lap panels away from prevailing wind direction.
- Stitch screws should be used on panel laps for all applications (24" o.c. maximum).
- Panel screws should be long enough to penetrate through the bottom of the plywood by 3/8".
- For dimensional lumber (2 x 6), panel screws should penetrate the lumber 1".
- All fasteners used for roof or wall applications should have EPDM sealing washers.
- Use a 2000 rpm depth-sensing nose piece screw gun to ensure proper fastener seal.
- Do not over drive or under drive fasteners (see illustration on page 8).
- Do not use #9 woodfast screws for attachment into plywood. #9 woodfast screws are designed to penetrate dimensional lumber. Use #14 fastener for plywood attachment.
- Clean off working area each day to remove metal particles left from drilling fasteners. These particles, when exposed to moisture, will form rust between metal particles and the panel.



MAXIMUM RECOMMENDED ROW SPACING FOR FASTENERS



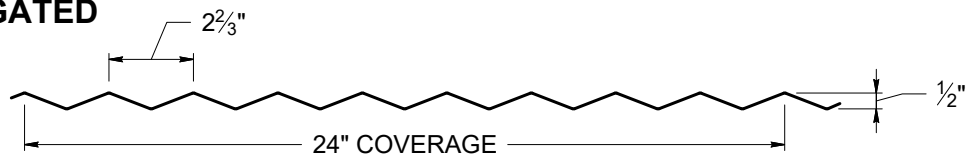
ULTRA-PANEL



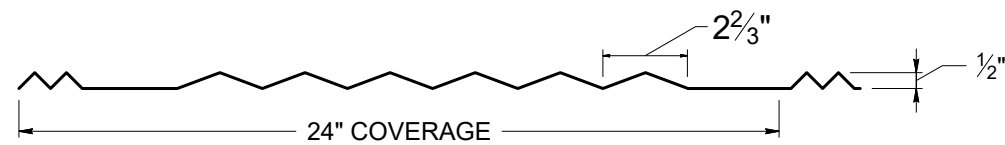
WIDE-RIB™



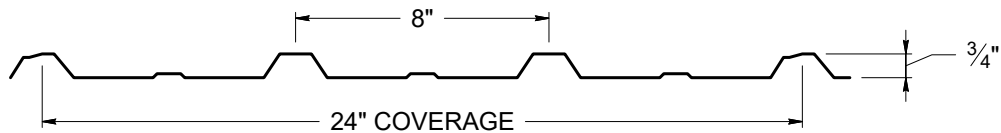
2.5" CORRUGATED



4-V



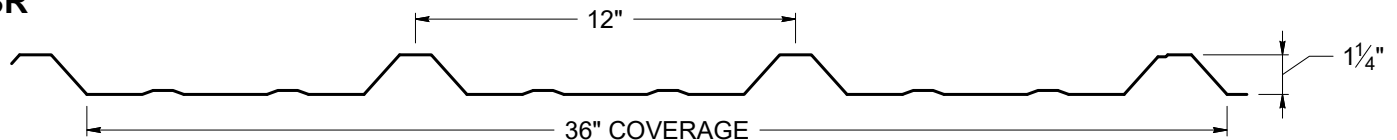
HI-RIB



CLASSIC 7/8" CORRUGATED™

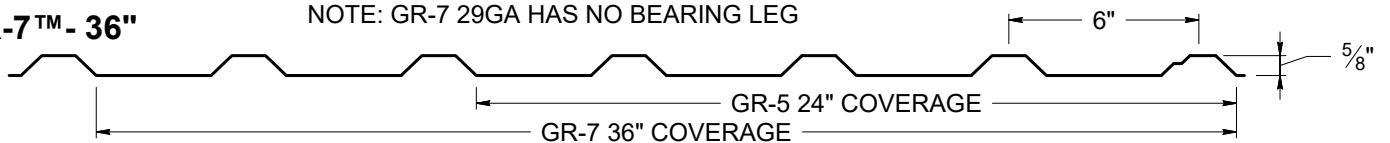


PBR

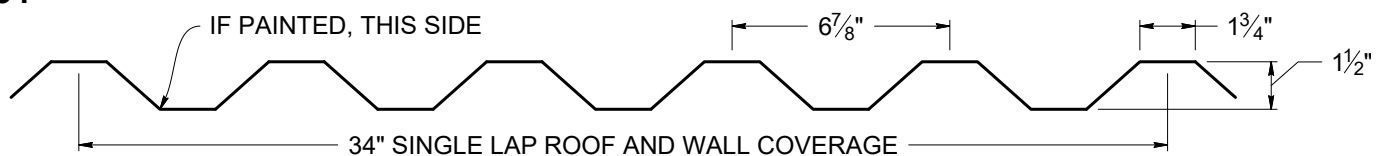


GR-7™ - 36"

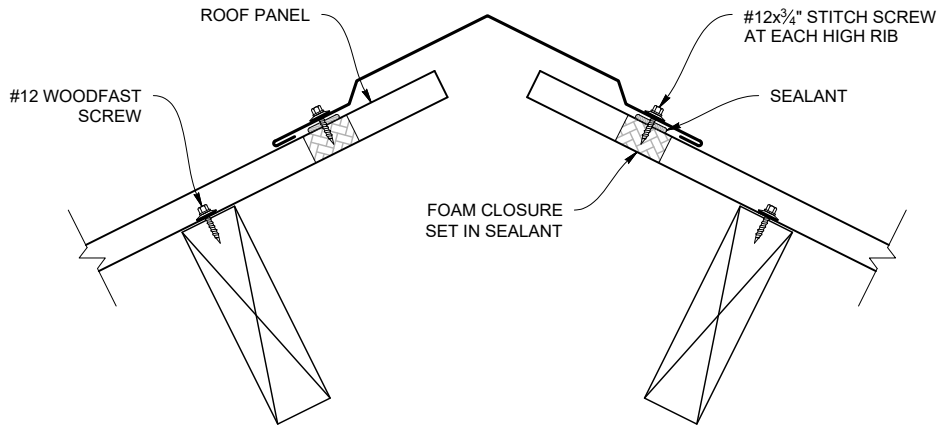
NOTE: GR-7 29GA HAS NO BEARING LEG



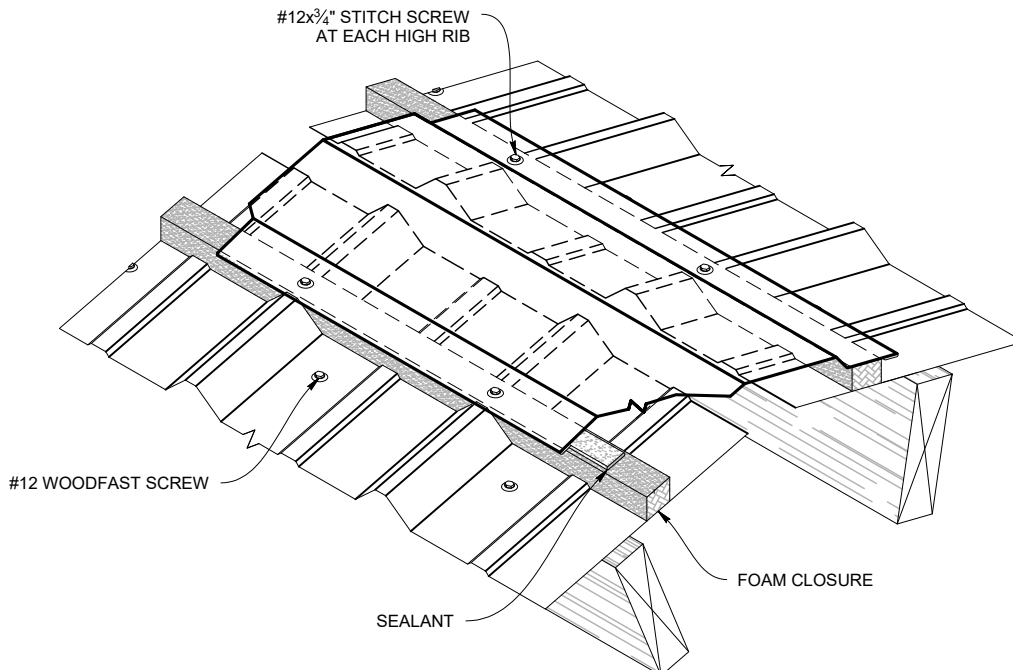
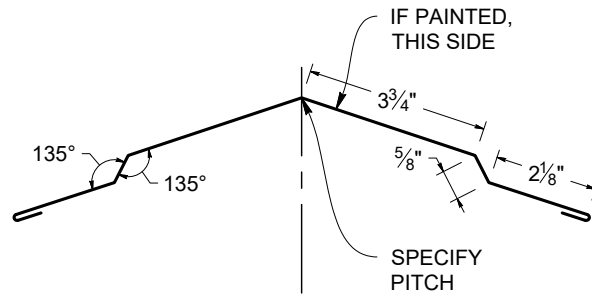
HR-34™



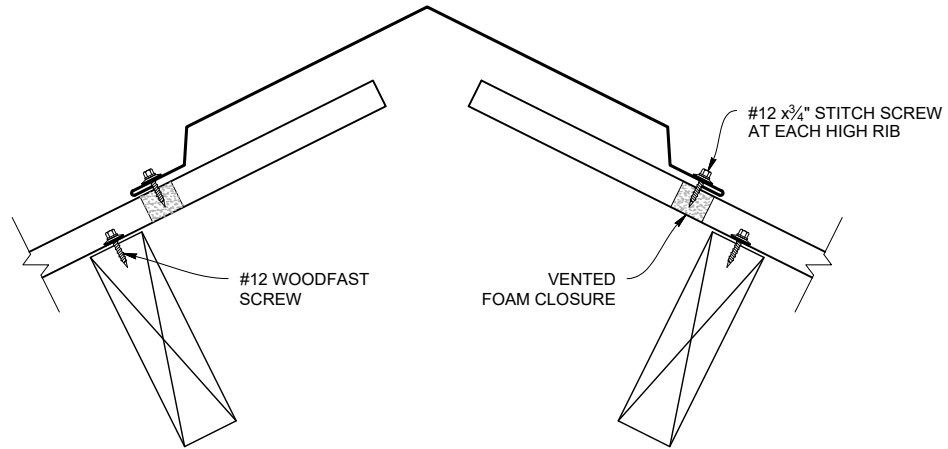
HIP/RIDGE DETAIL



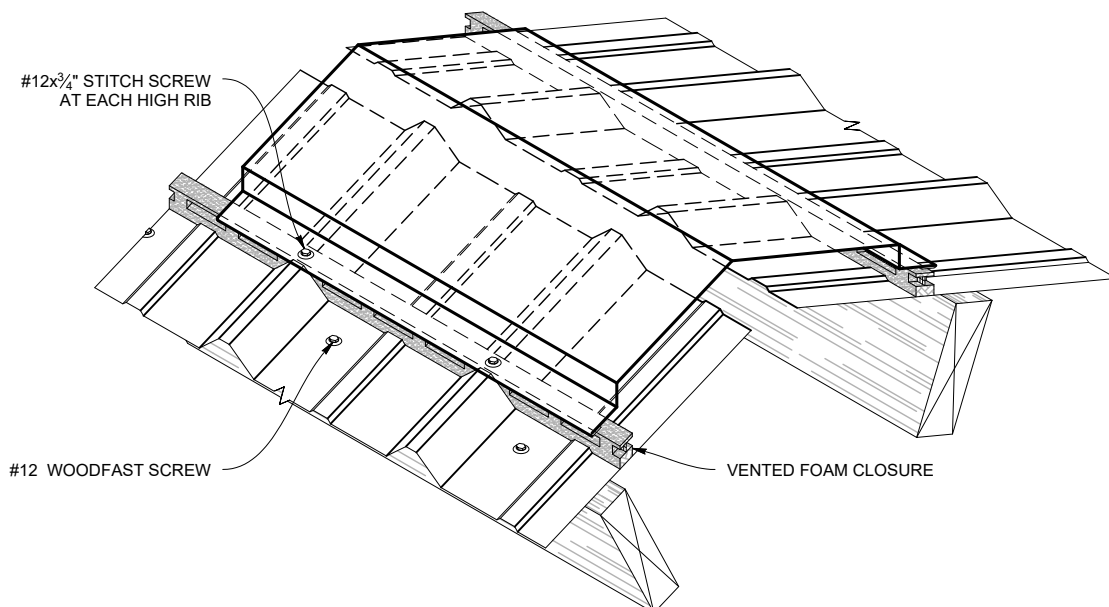
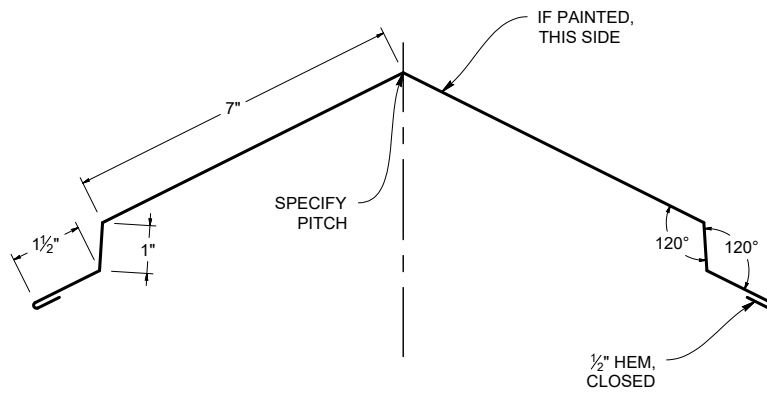
PART SHOWN: (T3RS) STANDARD RIDGE



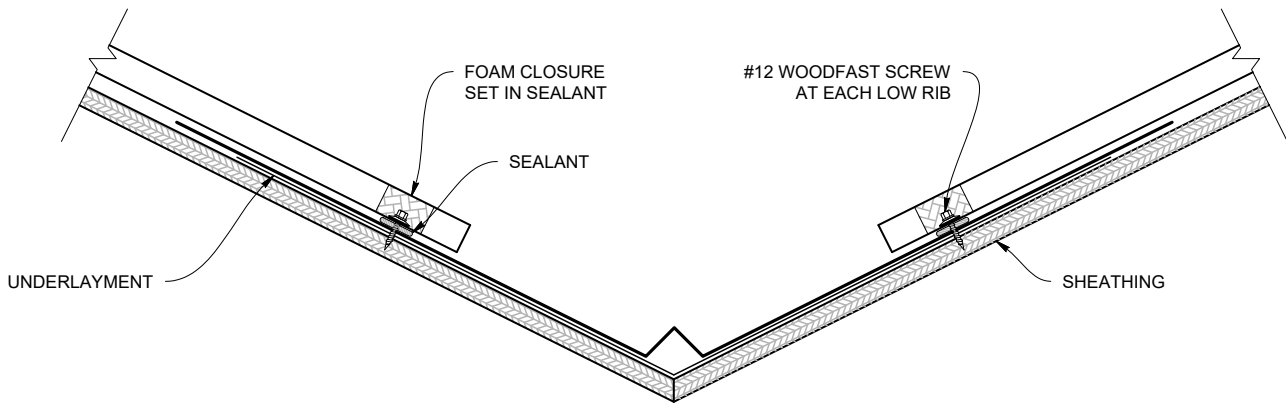
VENTED RIDGE DETAIL



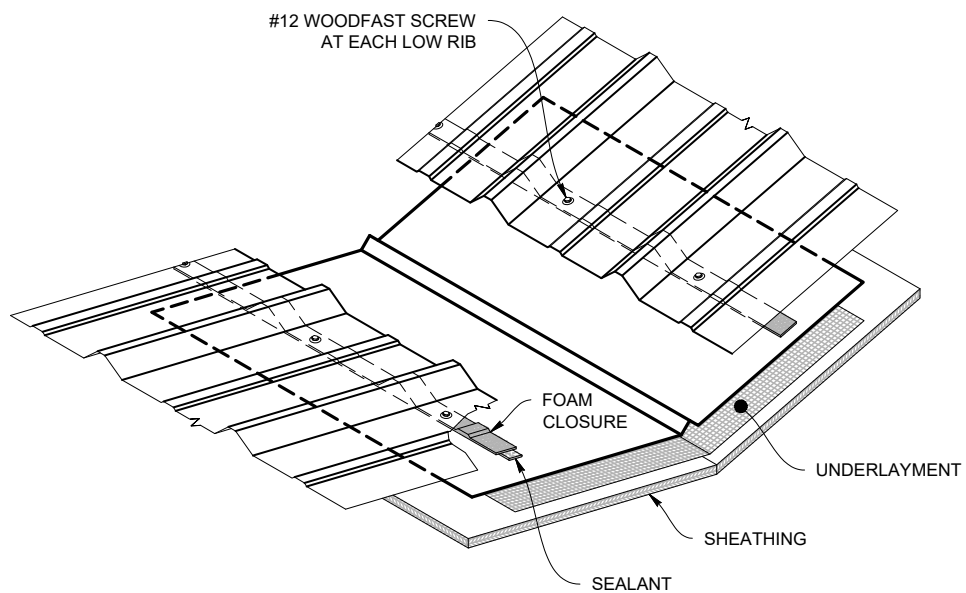
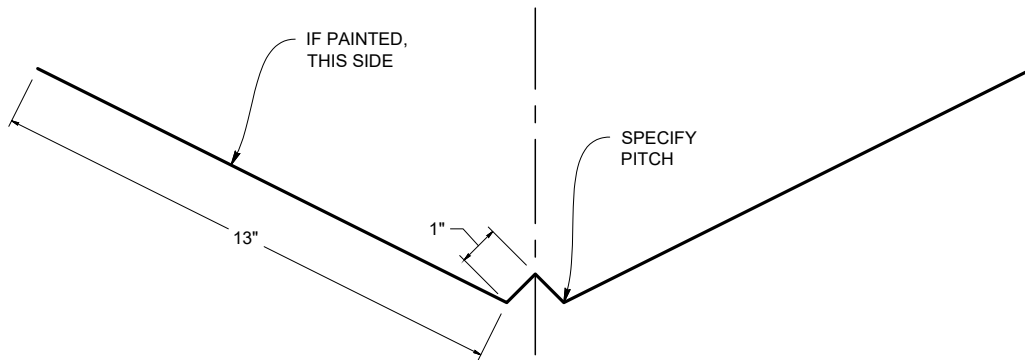
PART SHOWN: (T3RVW) VENTED WIDE RIDGE



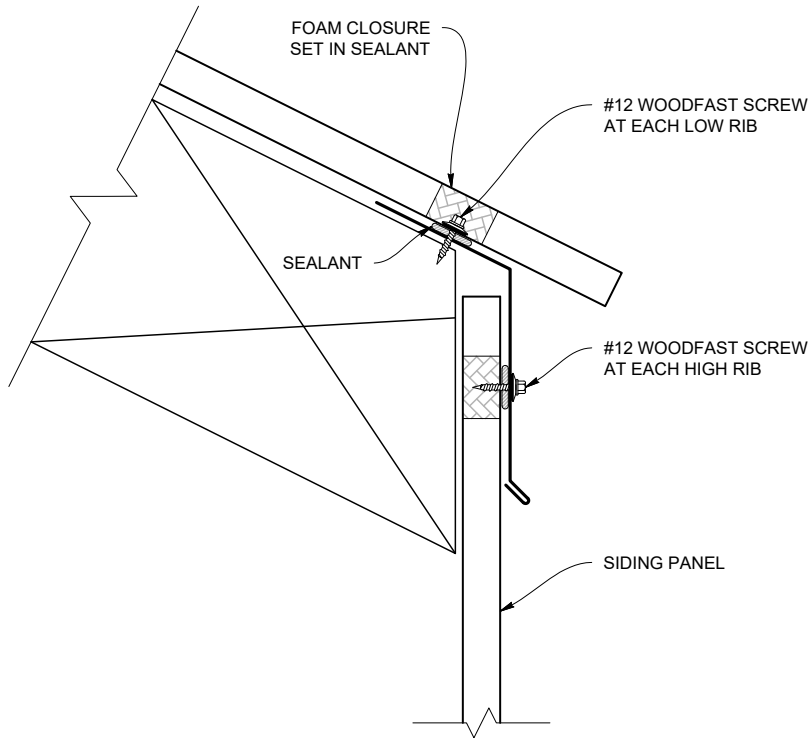
W-VALLEY DETAIL



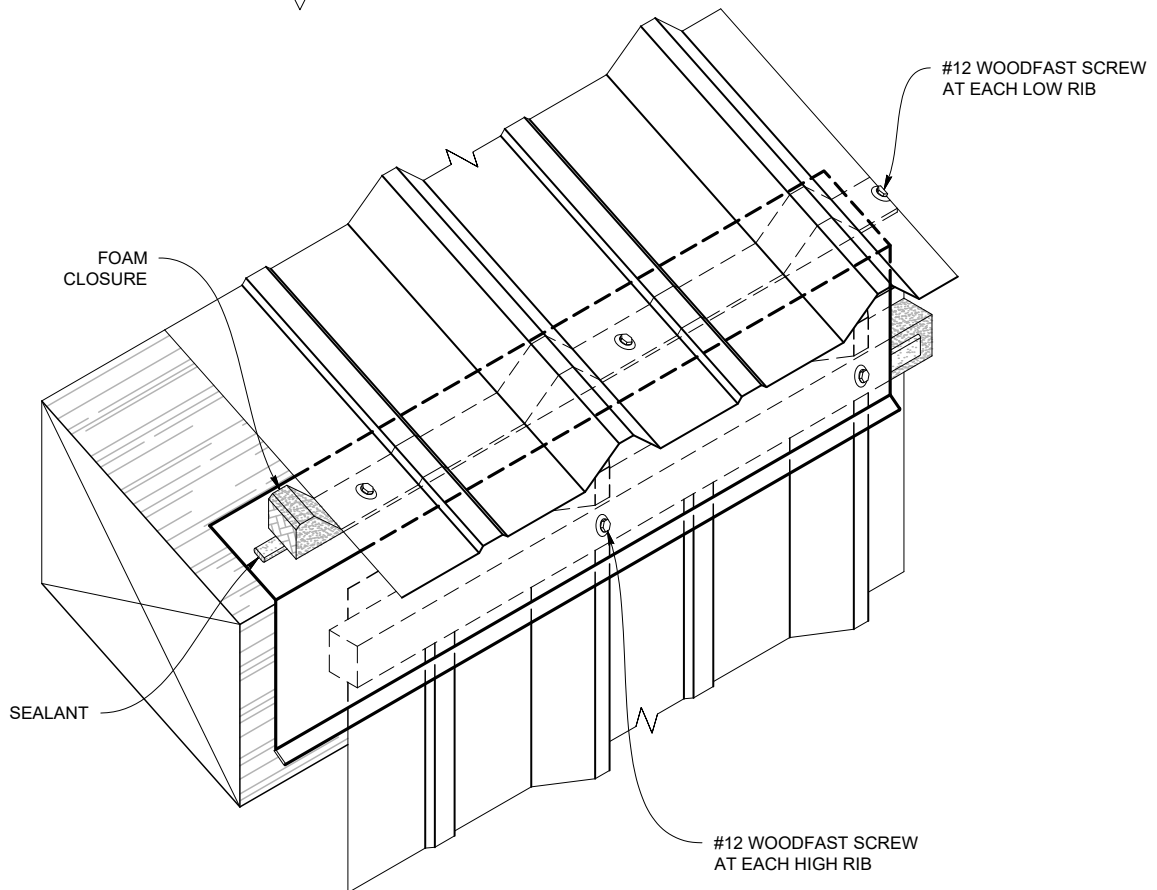
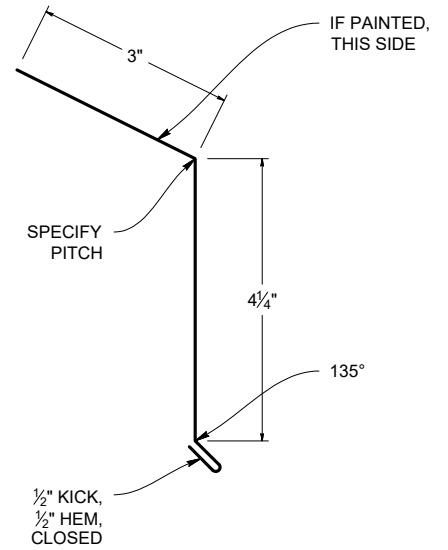
PART SHOWN: (T3VF) 28" W-VALLEY



EAVE DETAIL



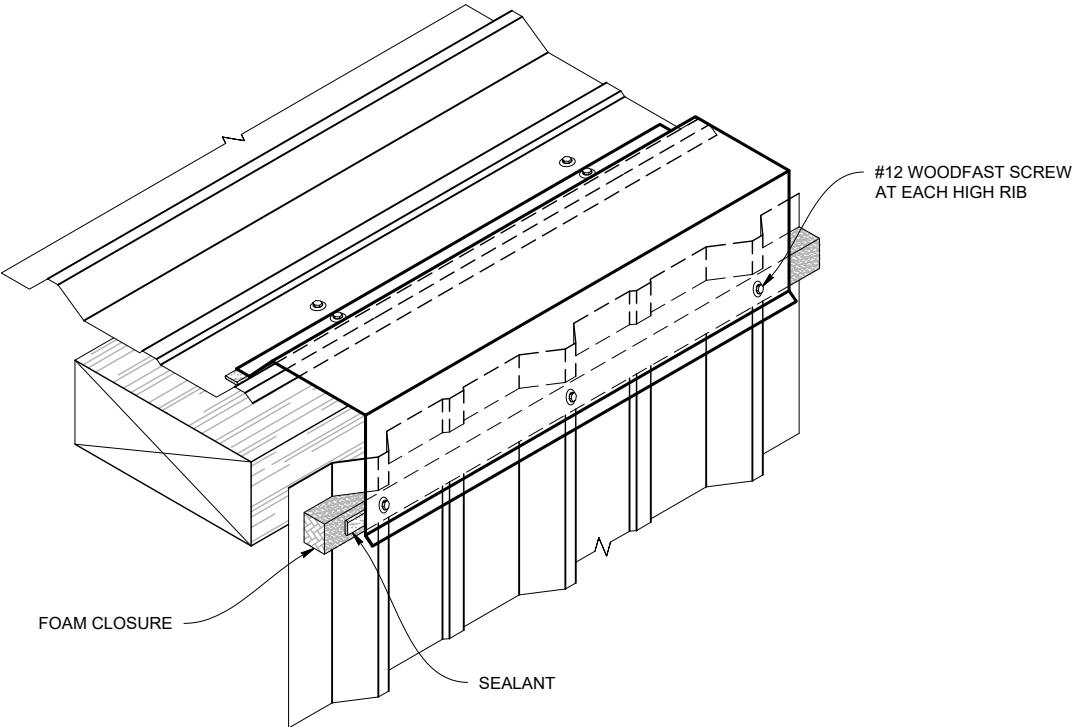
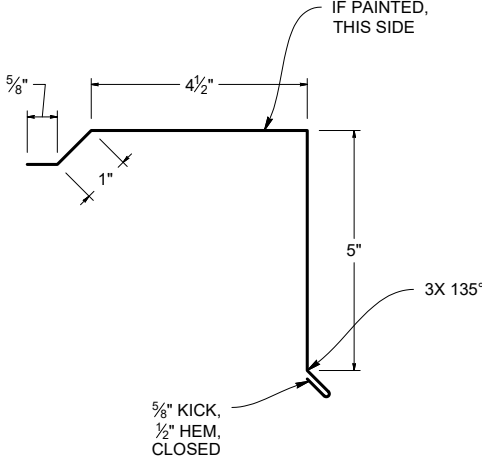
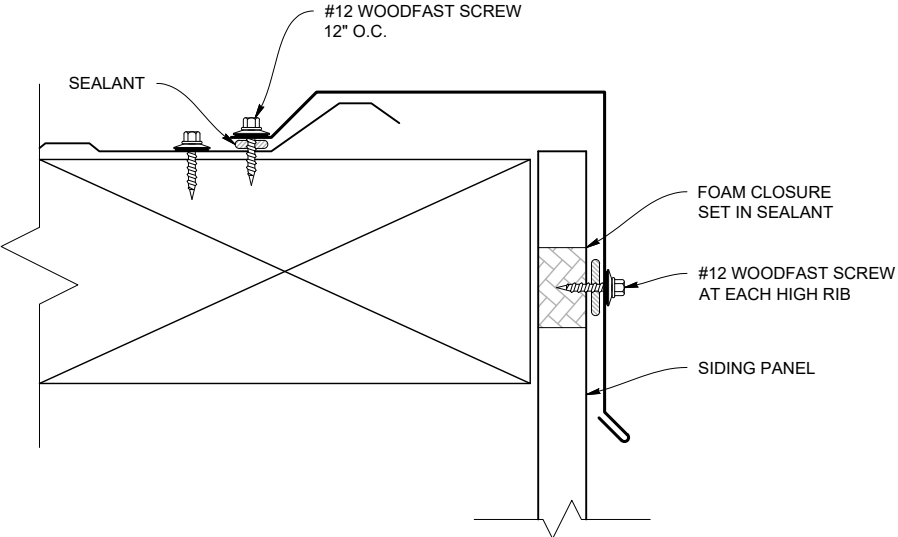
PART SHOWN: (T3E4) 4" EAVE



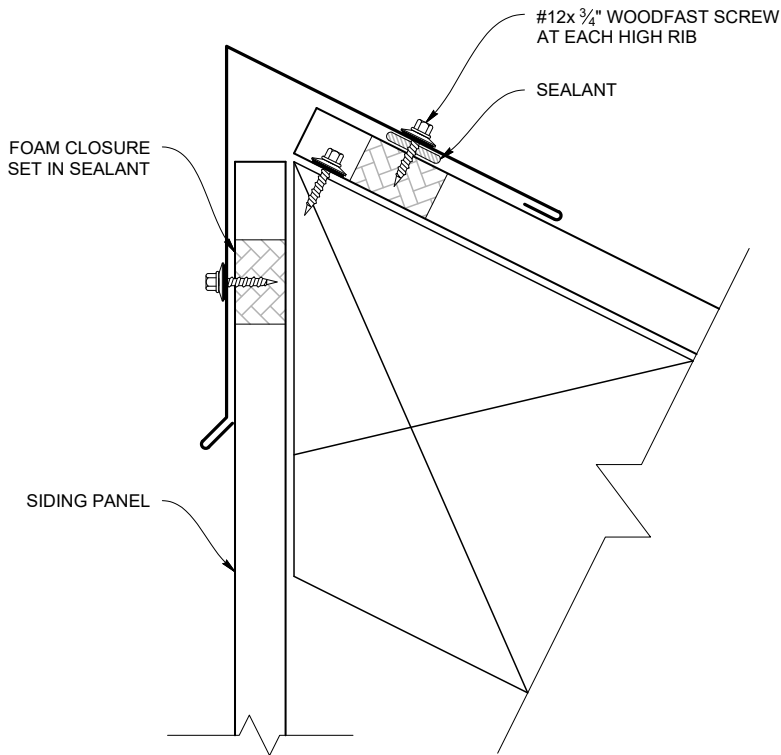
Gable

GABLE DETAIL

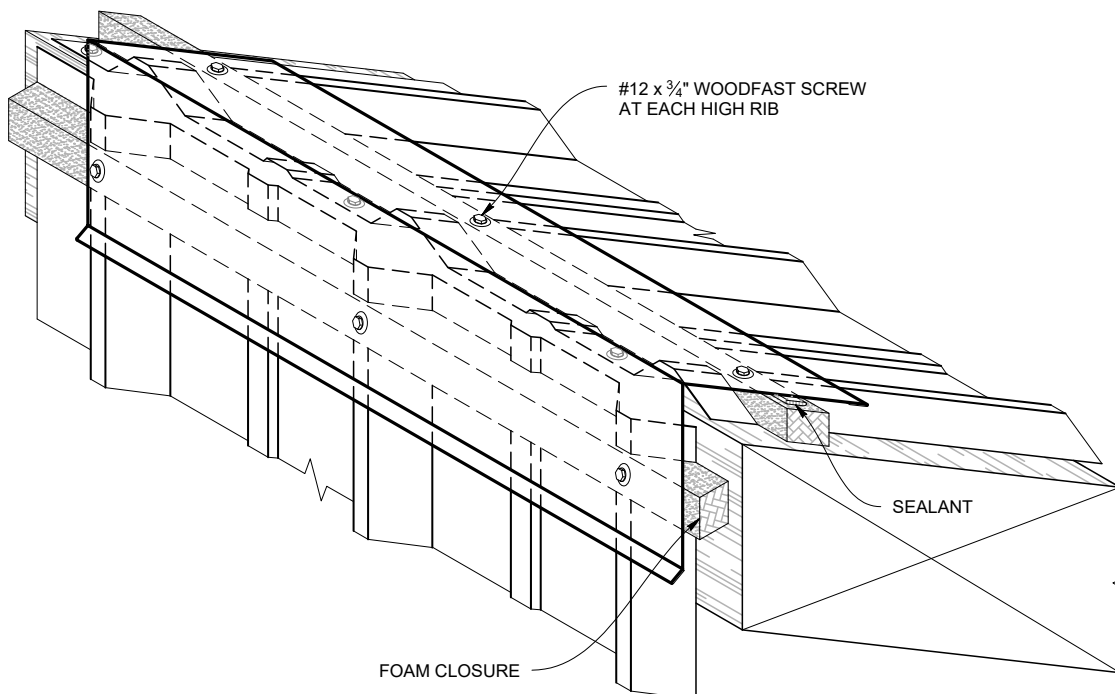
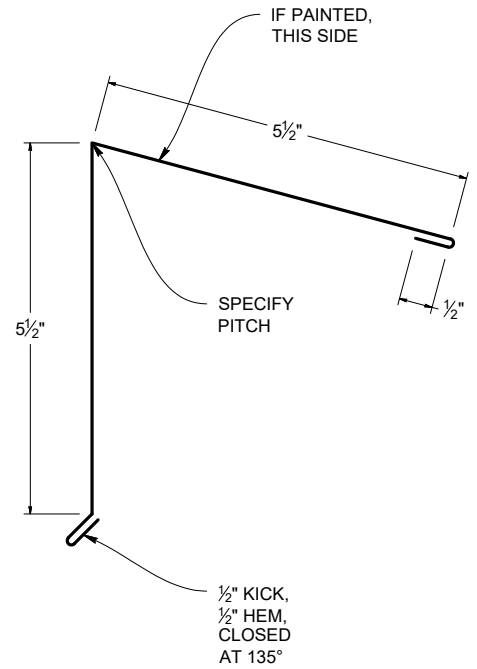
PART SHOWN: (T3GS) .75" STANDARD GABLE



PEAK FLASHING DETAIL

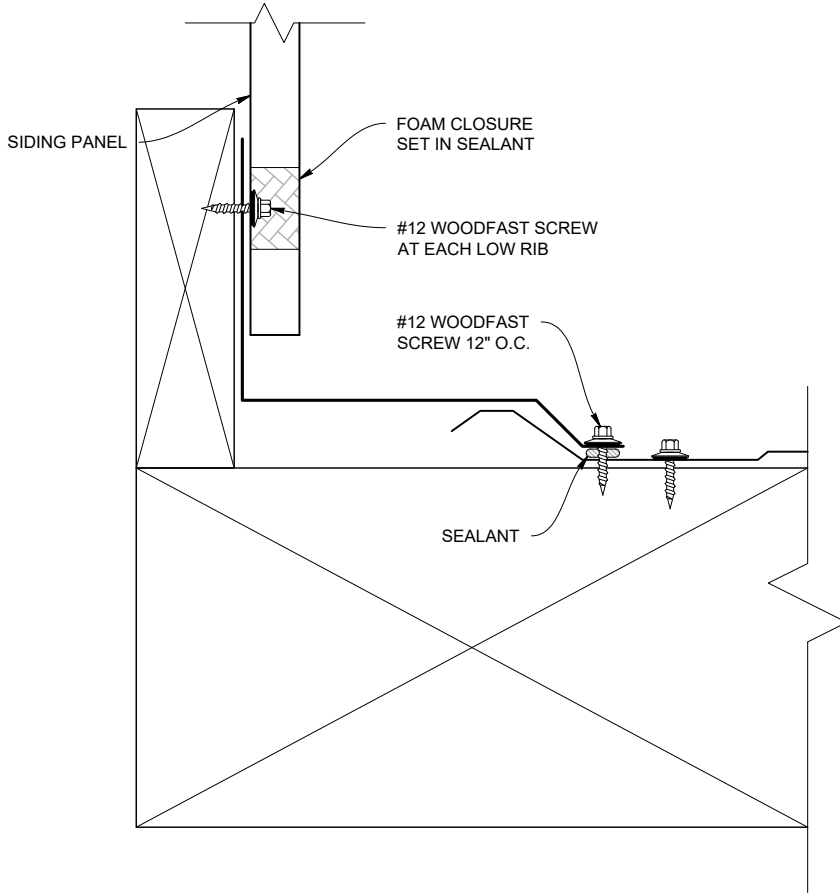


PART SHOWN: (T3RP) PEAK FLASHING

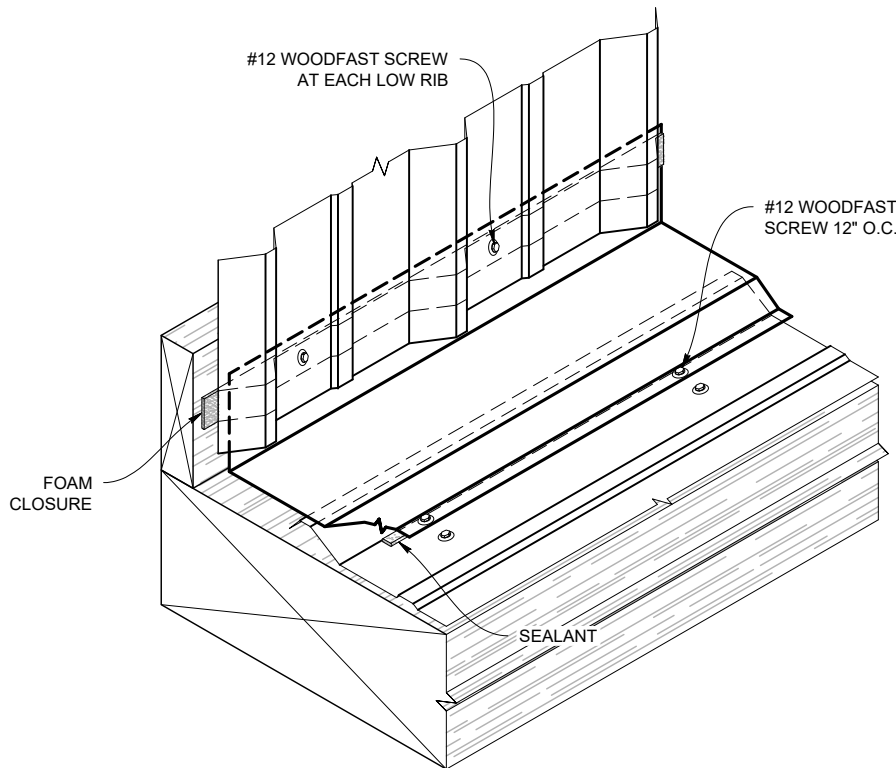
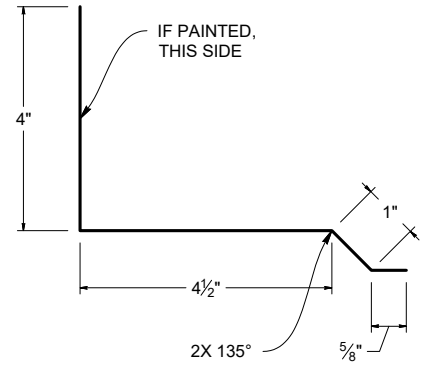


Sidewall

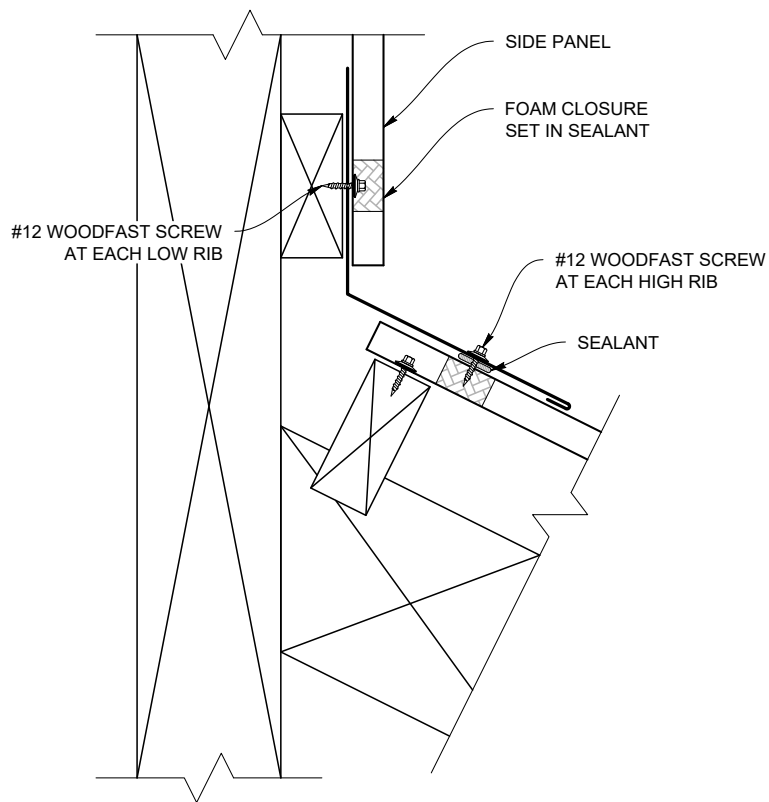
SIDEWALL DETAIL



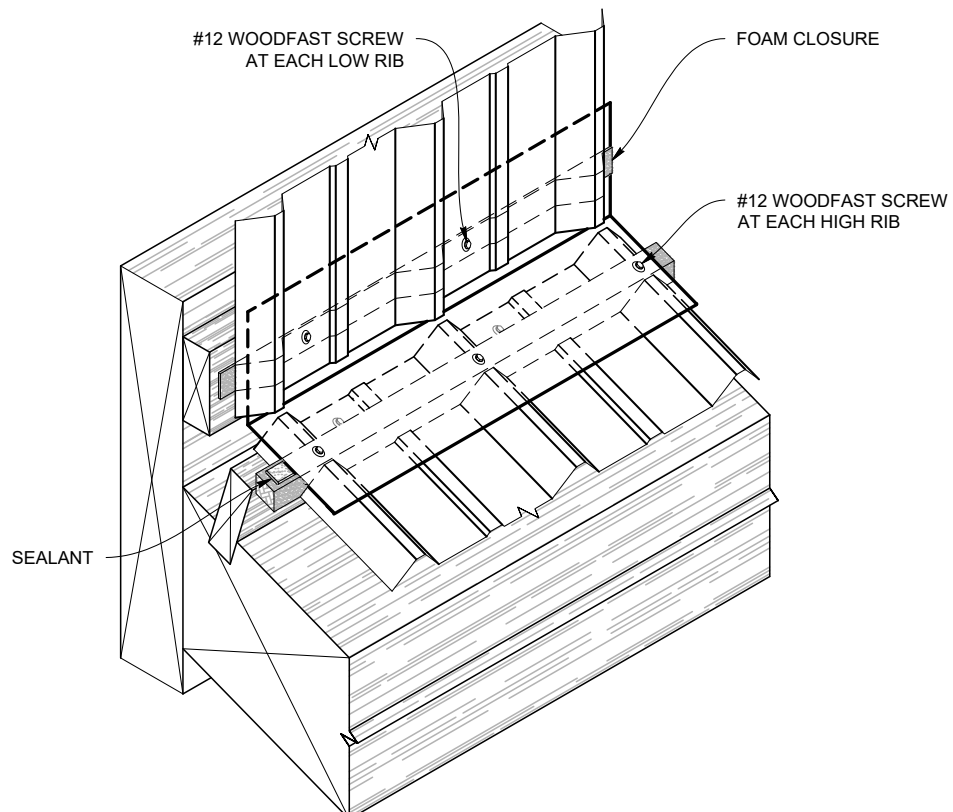
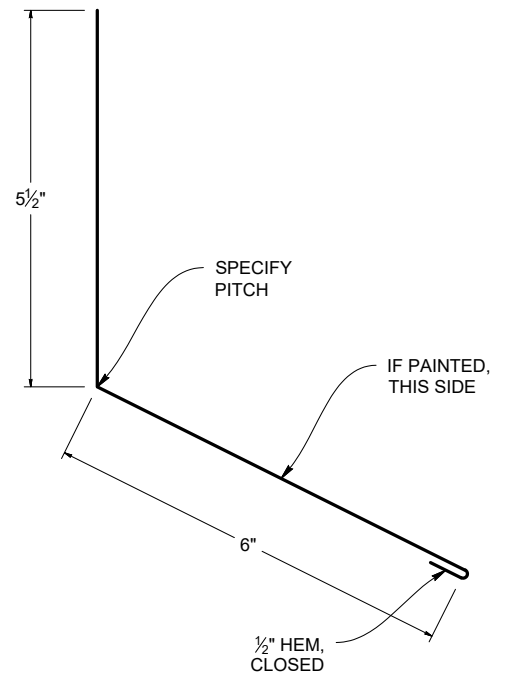
PART SHOWN: (T3SW) .75" SIDEWALL



ENDWALL DETAIL



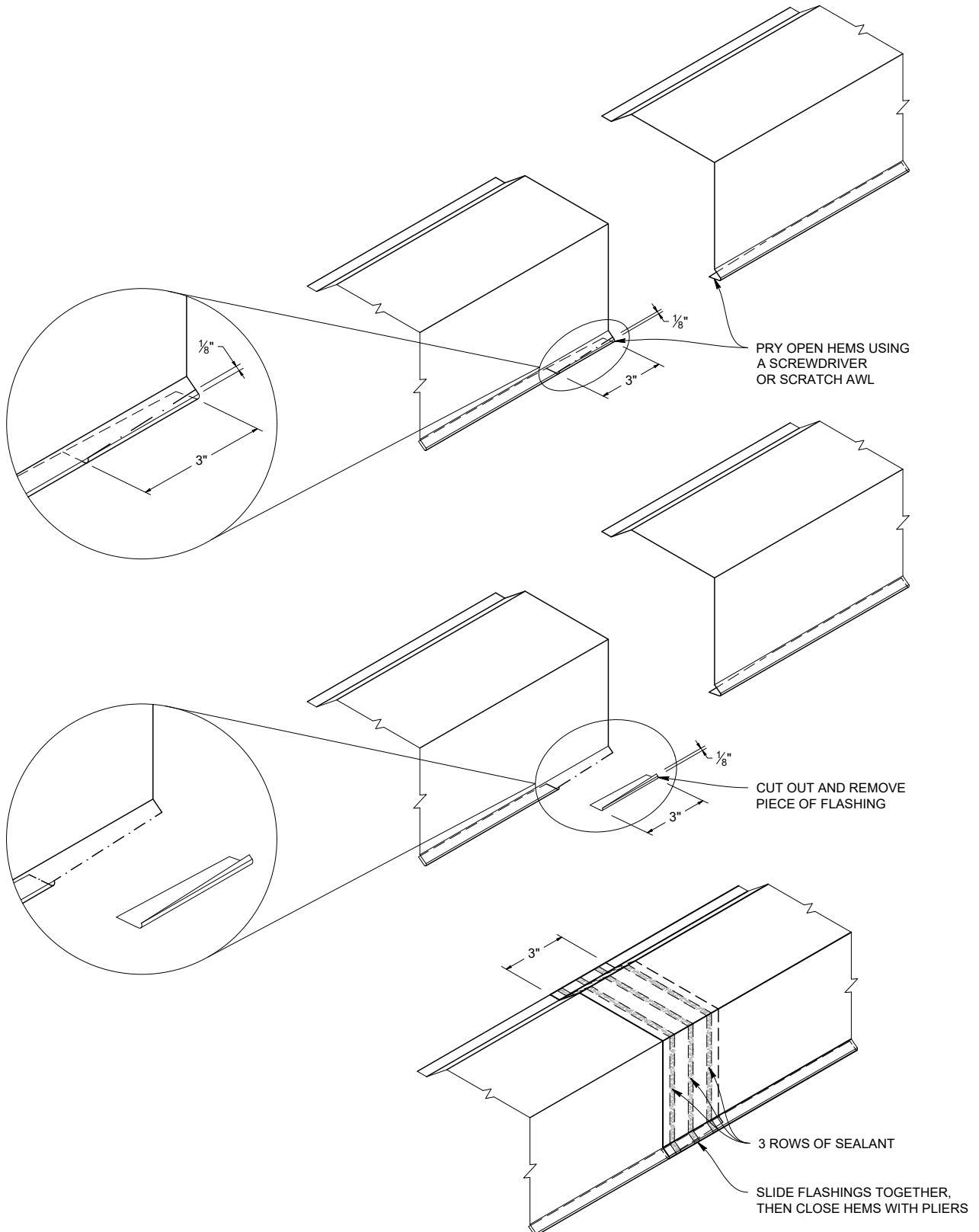
PART SHOWN: (T3EW) ENDWALL



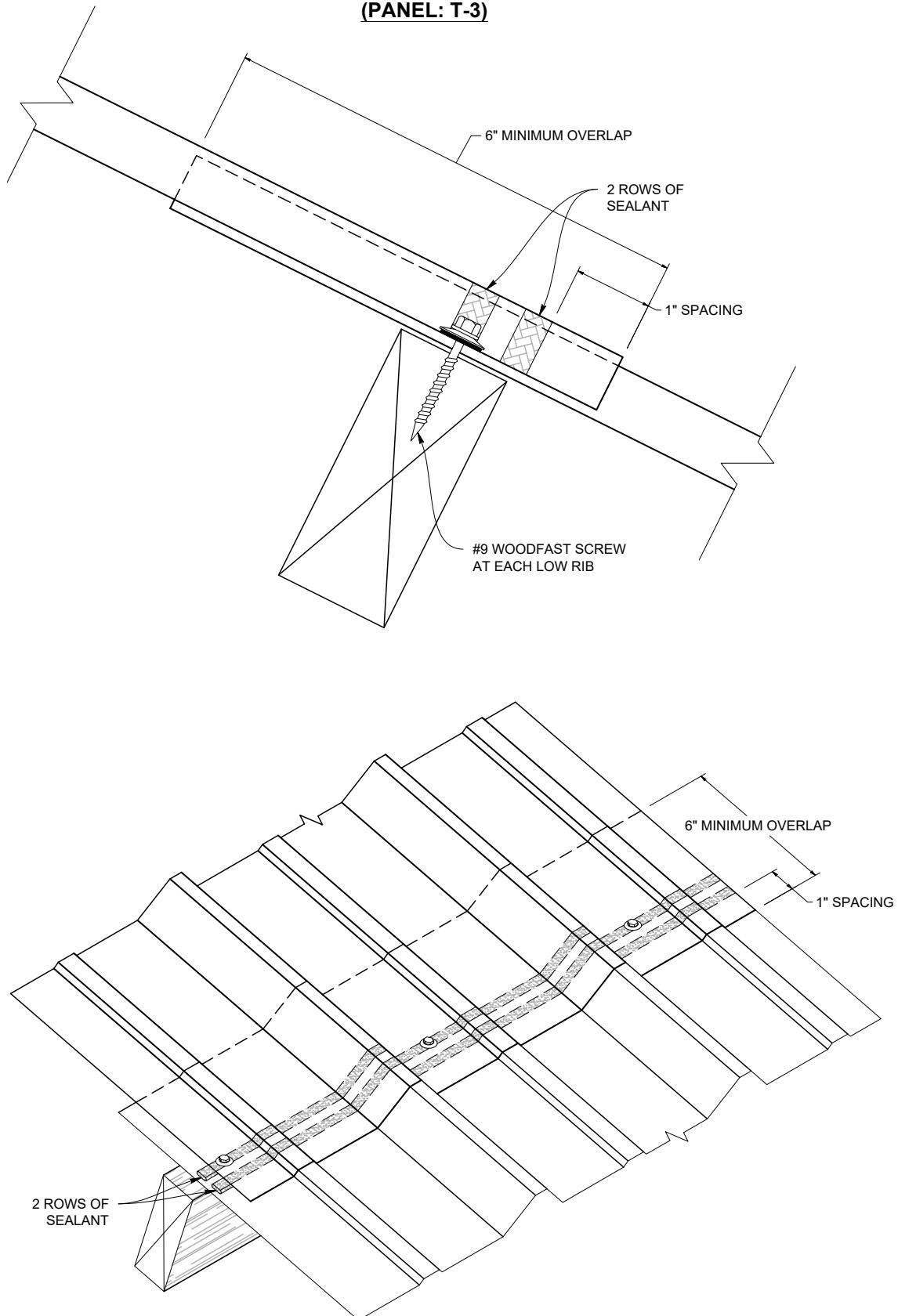
Lapping Application

**PART SHOWN: (T3GS)
STANDARD GABLE**

LAPPING APPLICATION

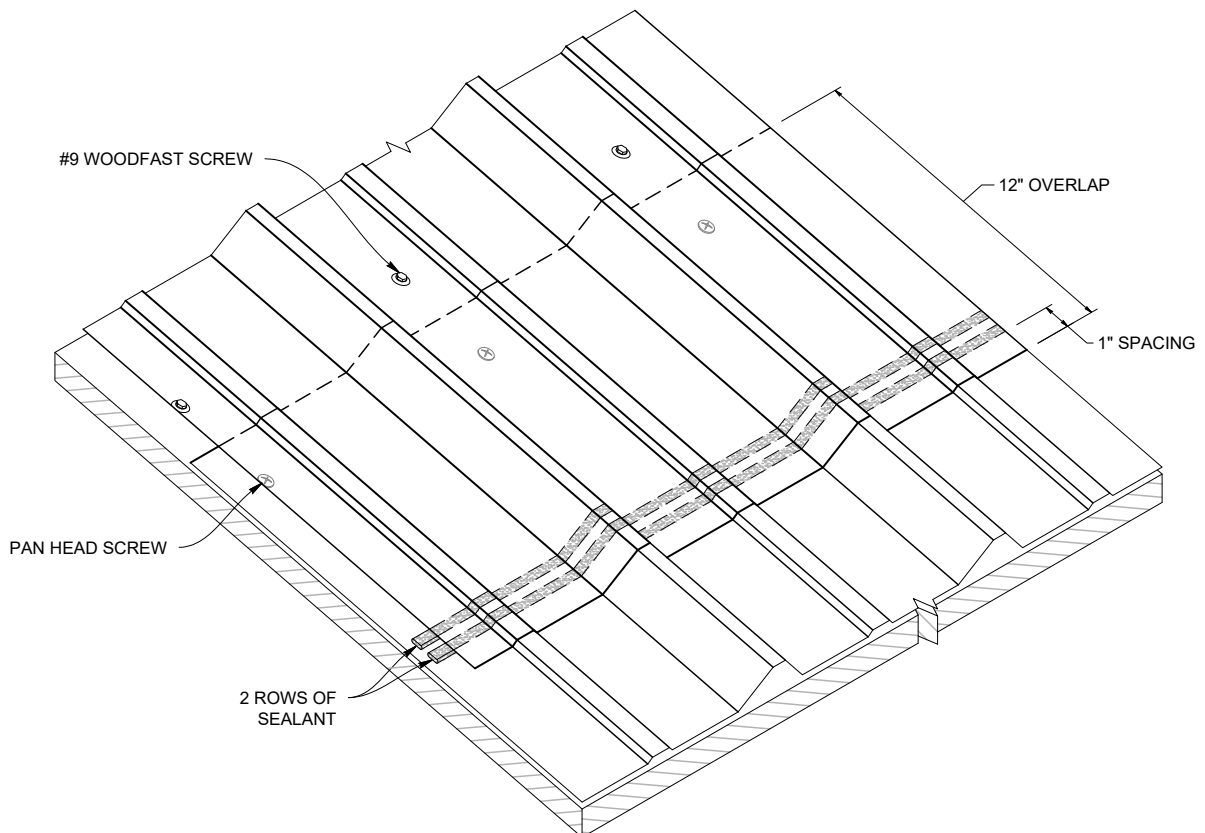
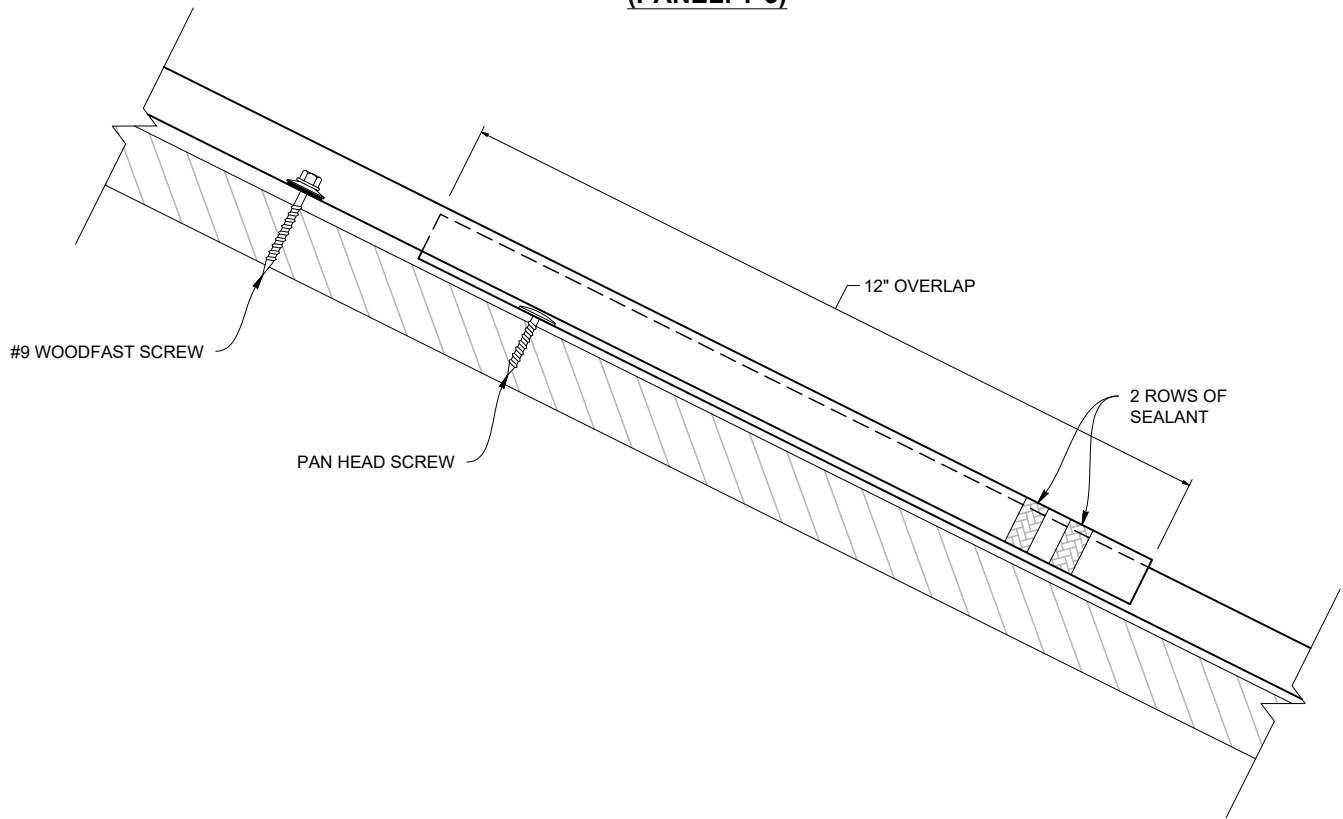


SHORT PANEL END LAP DETAIL (PANEL: T-3)

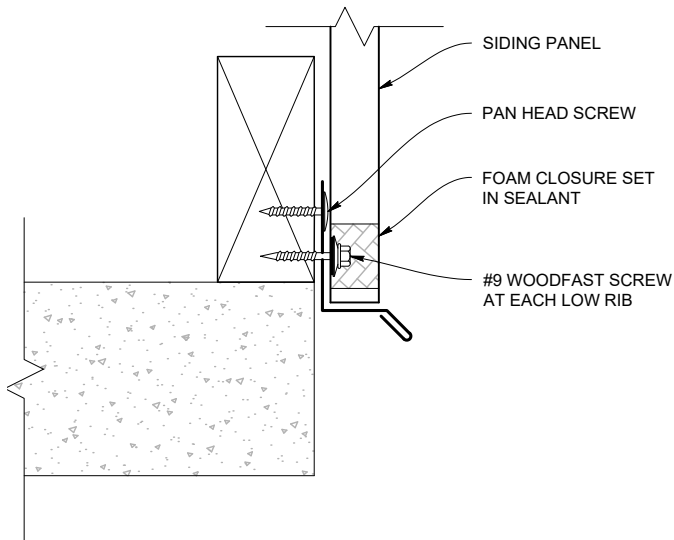


Long Panel End Lap

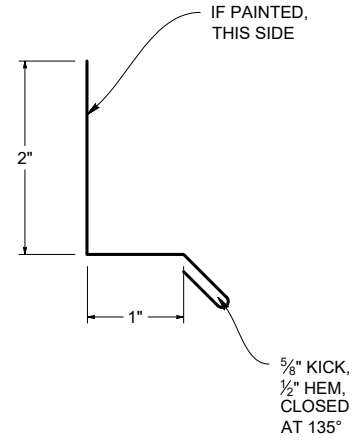
LONG PANEL END LAP DETAIL (PANEL: T-3)



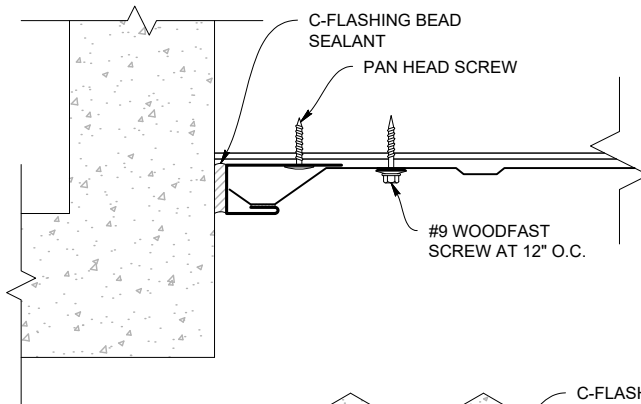
BASE FLASHING DETAIL



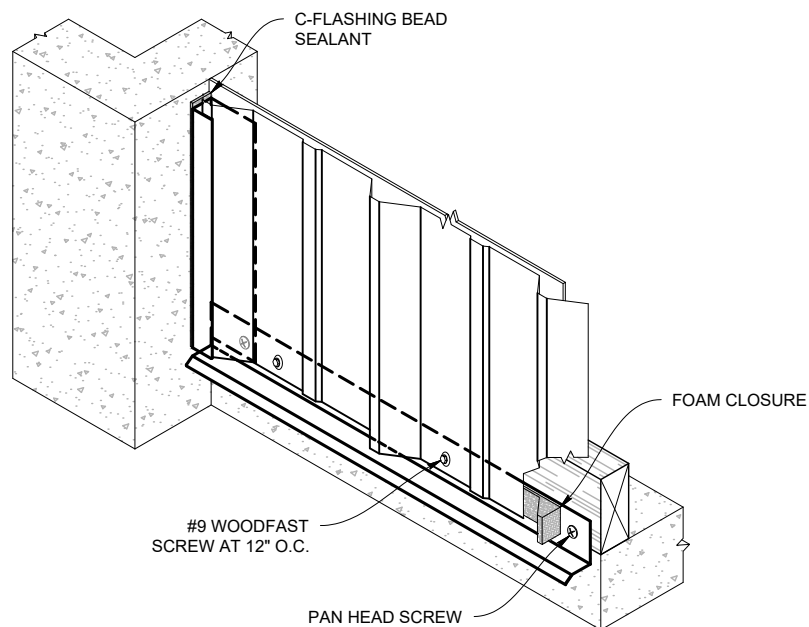
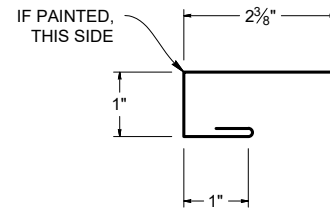
PART SHOWN: (T3BF)
.75" BASE FLASHING



C-FLASHING DETAIL (TOP VIEW)

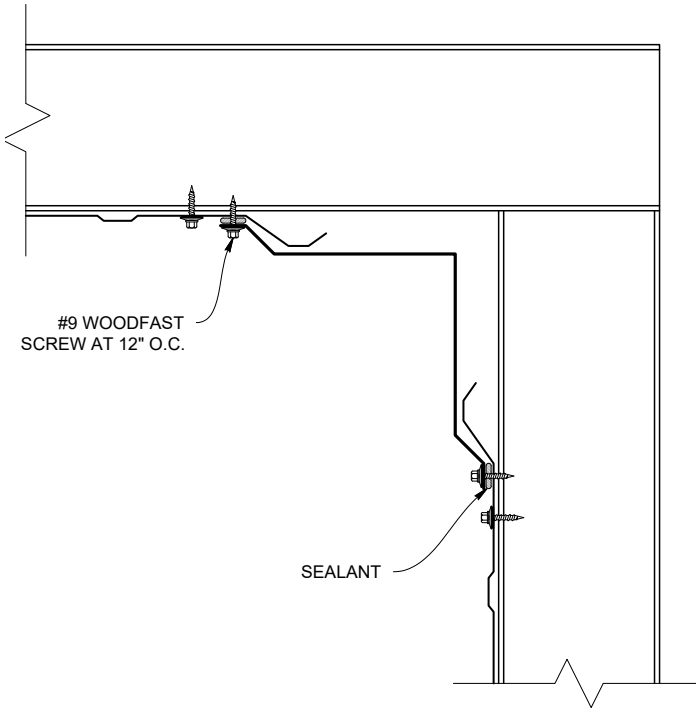


PART SHOWN: (T3CF)
.75" C-FLASHING

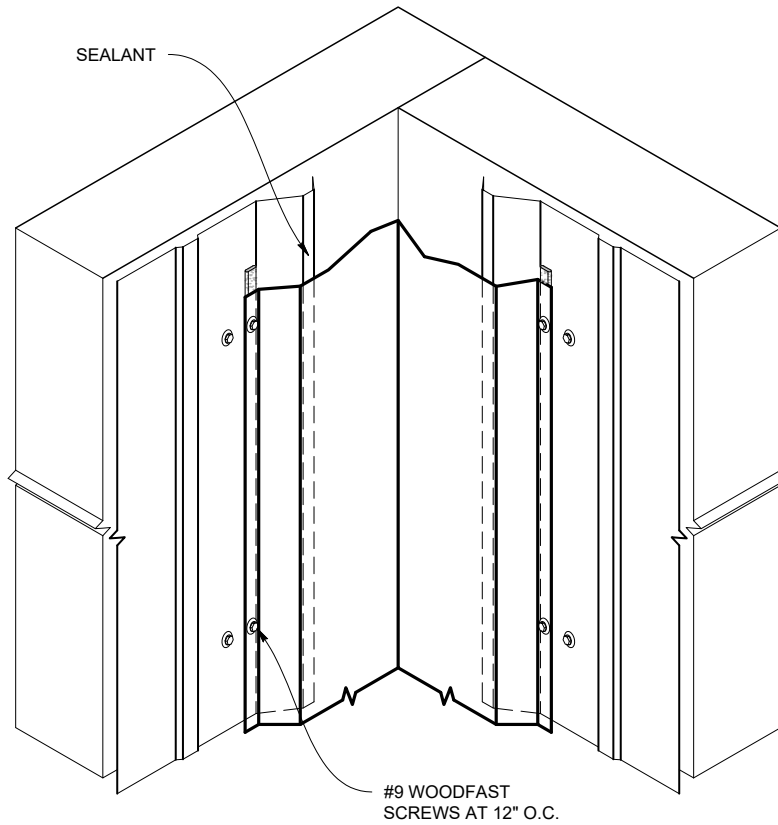
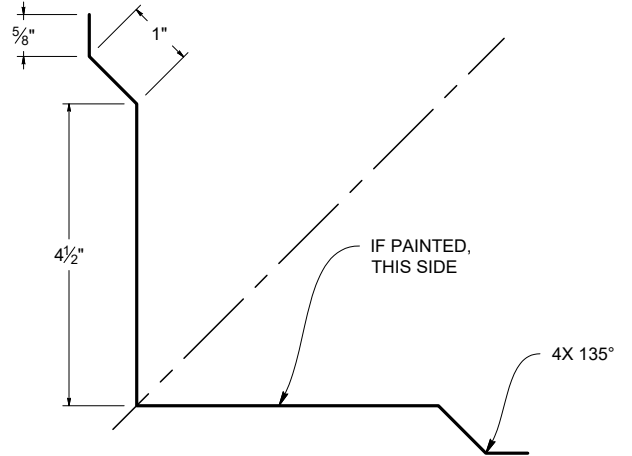


Inside Corner

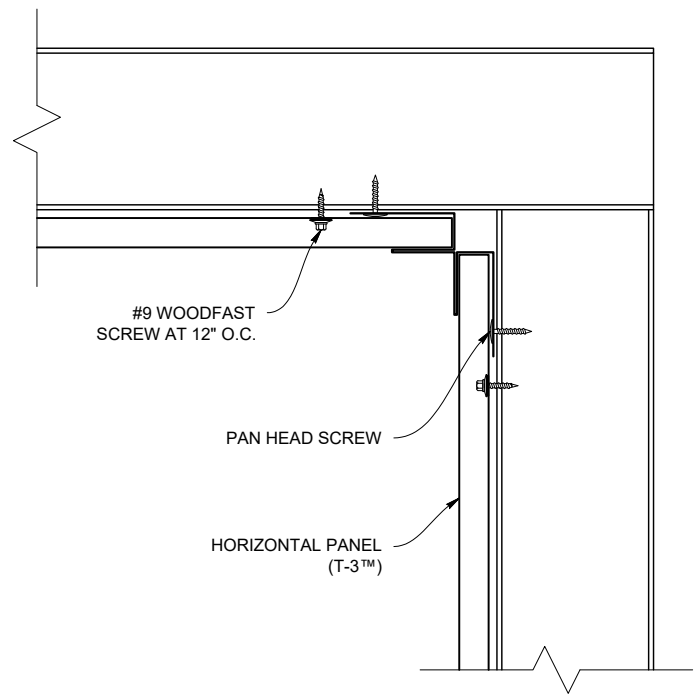
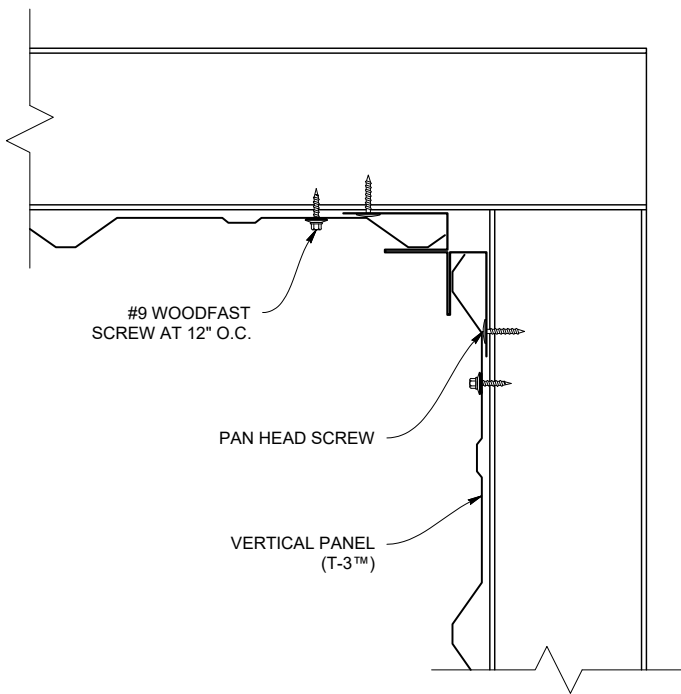
INSIDE CORNER DETAIL



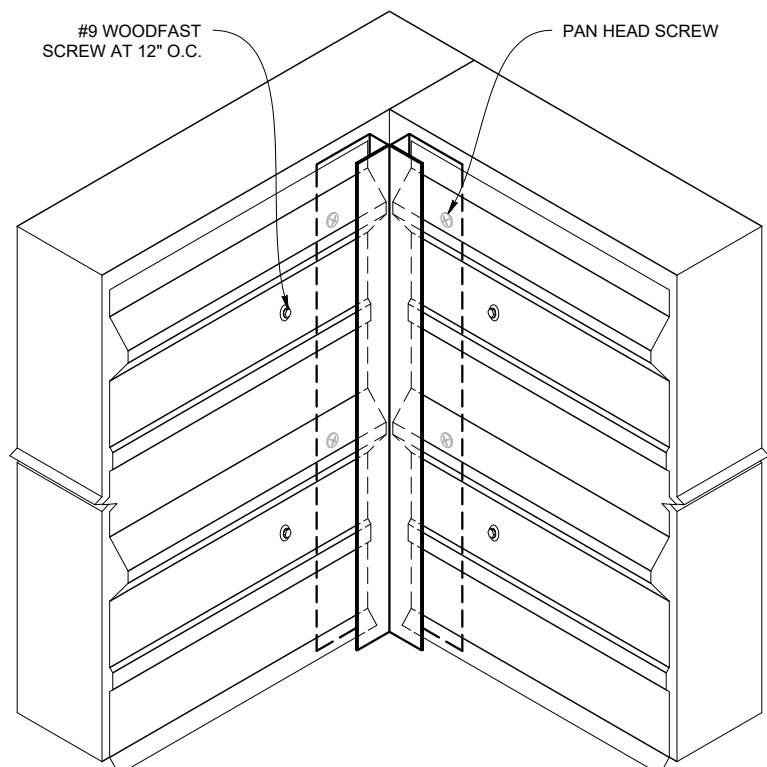
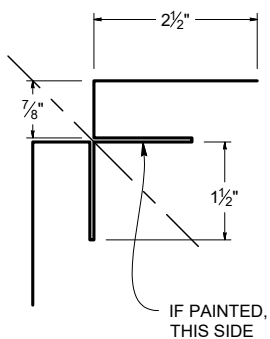
**PART SHOWN: (T3C1)
.75" INSIDE CORNER**



INSIDE CORNER DETAILS



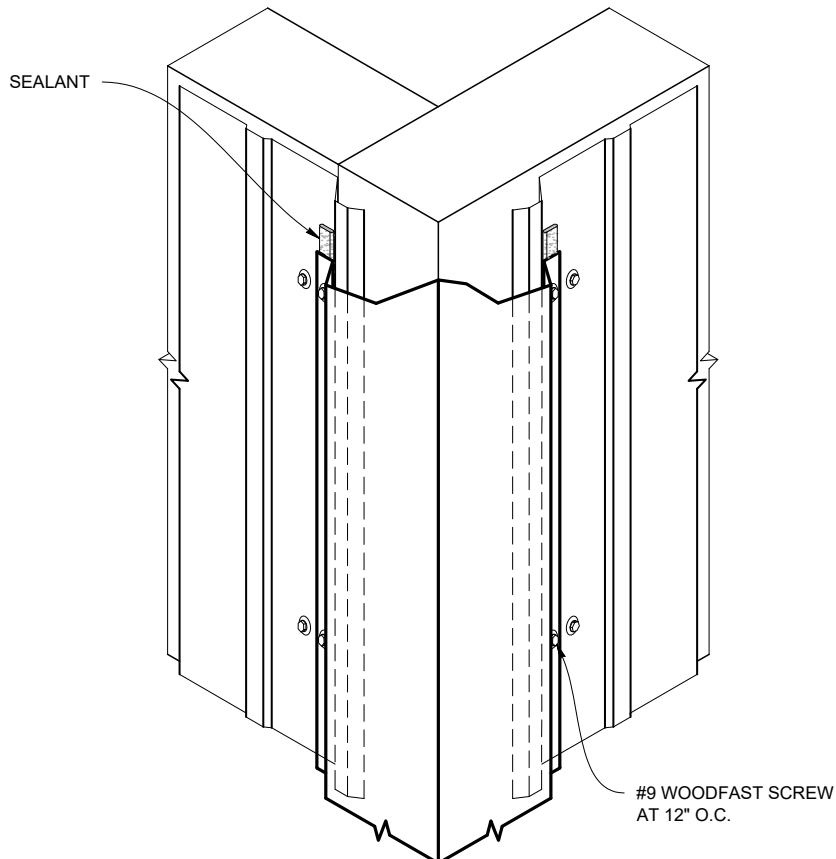
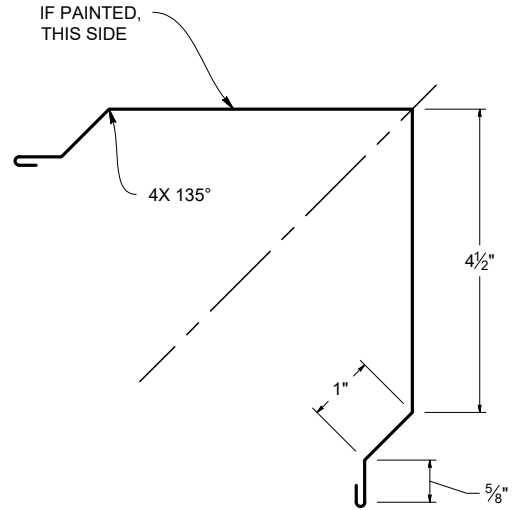
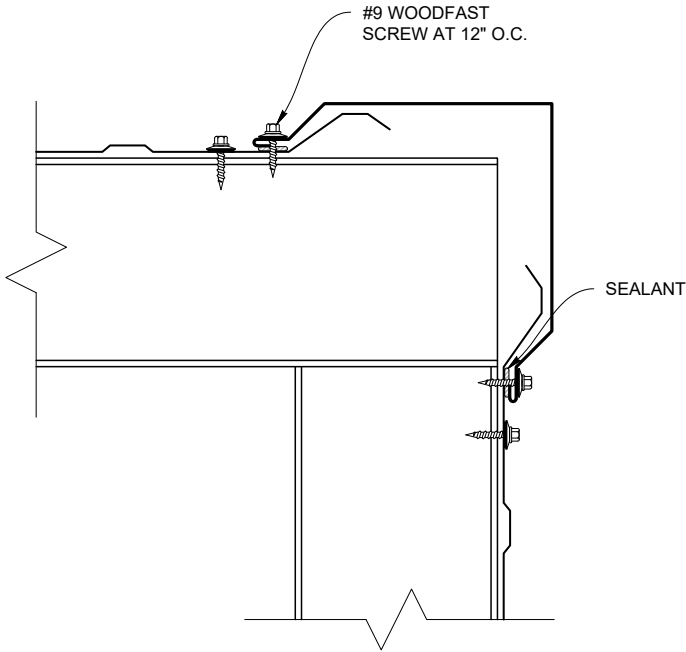
**PART SHOWN: (T3CPI)
.75" INSIDE CORNER POST**



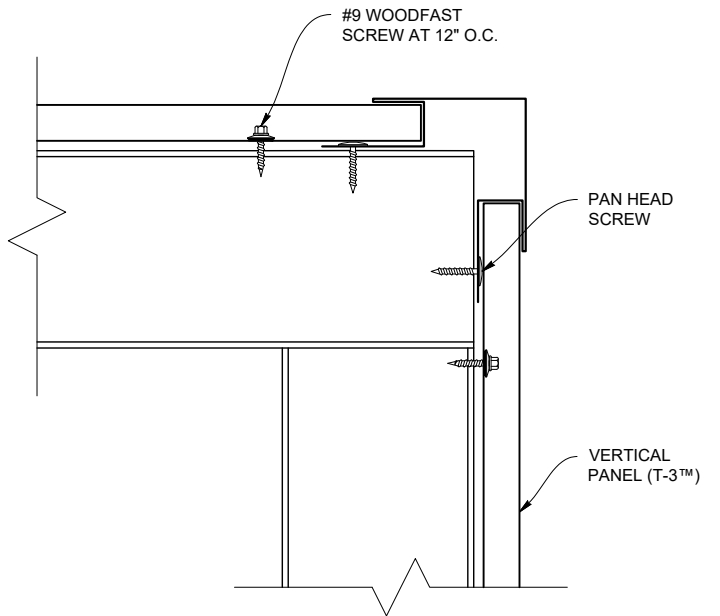
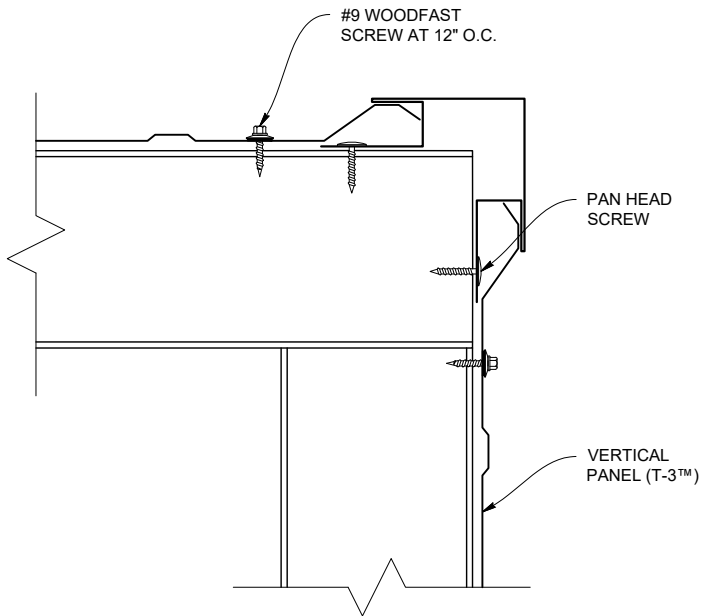
Outside Corner

OUTSIDE CORNER DETAIL

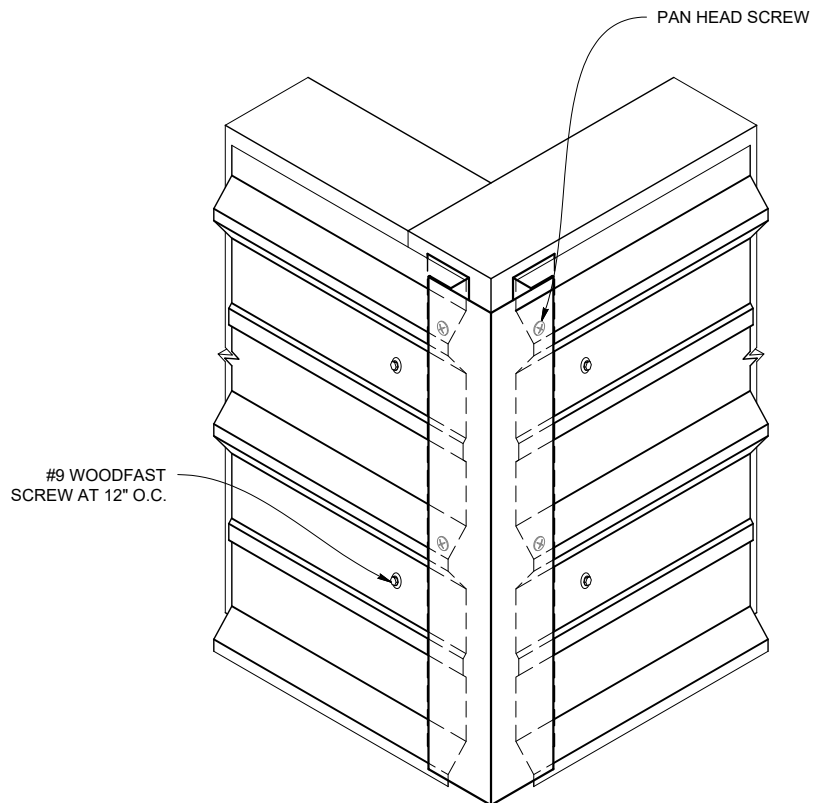
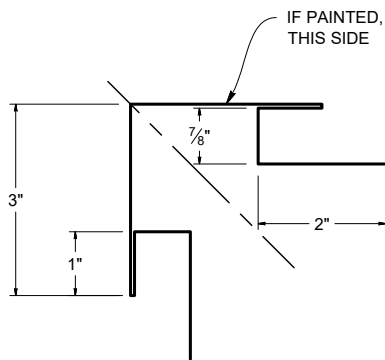
PART SHOWN: (T3CO) .75" OUTSIDE CORNER



OUTSIDE CORNER DETAILS

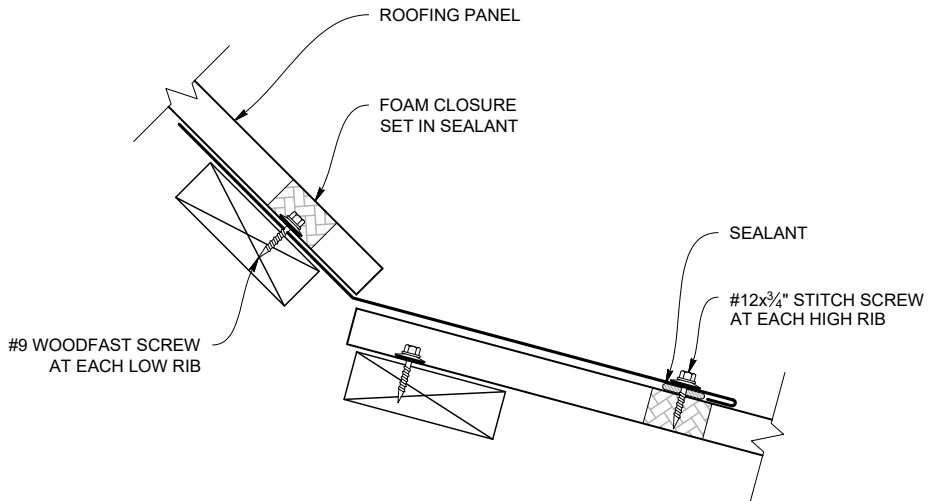


**PART SHOWN: (T3CPO)
.75" OUTSIDE CORNER POST**

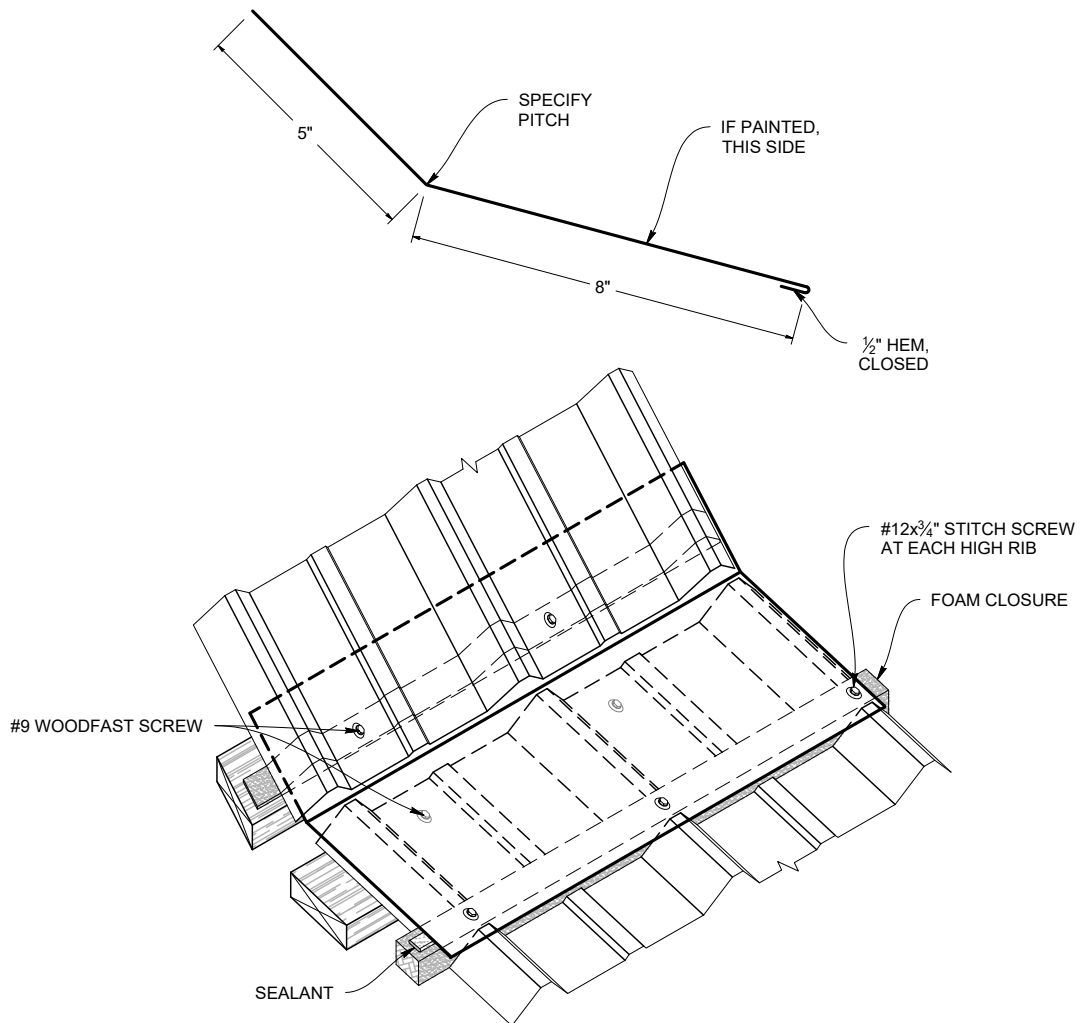


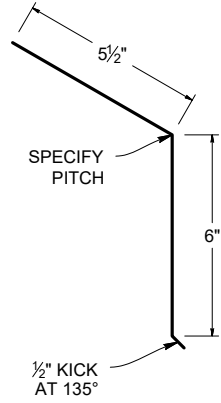
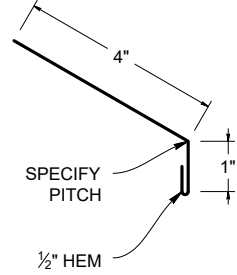
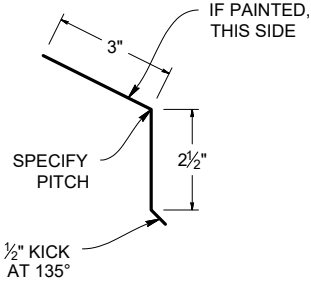
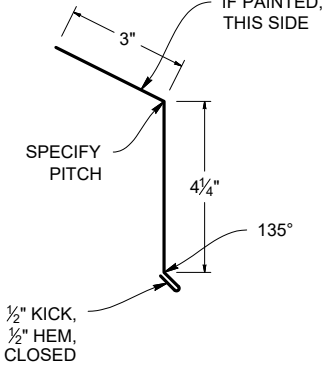
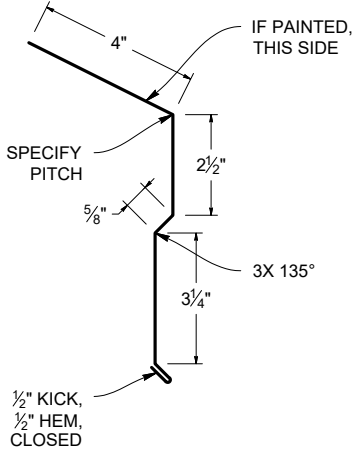
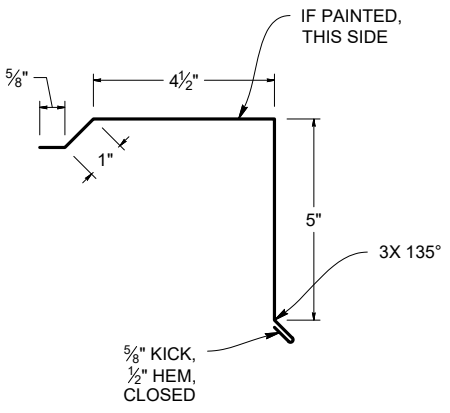
Pitch Change

INSIDE PITCH CHANGE DETAIL



PART SHOWN: (T3PCI) .75" INSIDE PITCH CHANGE



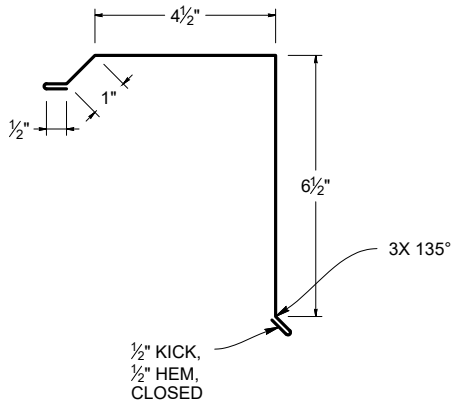
<p>.75" EAVE TRIM (T3CET)</p>  <p>5 1/2"</p> <p>SPECIFY PITCH</p> <p>6"</p> <p>1/2" KICK AT 135°</p> <p>SCALE 1:6 S.O. 12" WEIGHT: 9 LBS.</p>	<p>.75" GUTTER EAVE TRIM (T3CETG)</p>  <p>4"</p> <p>SPECIFY PITCH</p> <p>1"</p> <p>1/2" HEM</p> <p>SCALE 1:4 S.O. 5-1/2" WEIGHT: 4.2 LBS.</p>
<p>STANDARD EAVE (T3ES)</p>  <p>3"</p> <p>IF PAINTED, THIS SIDE</p> <p>SPECIFY PITCH</p> <p>2 1/2"</p> <p>1/2" KICK AT 135°</p> <p>SCALE 1:5 S.O. 6" WEIGHT: 4.6 LBS.</p>	<p>4" EAVE (T3E4)</p>  <p>3"</p> <p>IF PAINTED, THIS SIDE</p> <p>SPECIFY PITCH</p> <p>4 1/4"</p> <p>135°</p> <p>1/2" KICK, 1/2" HEM, CLOSED</p> <p>SCALE 1:5 S.O. 8-1/4" WEIGHT: 6.3 LBS.</p>
<p>.75" 2X6 STEP EAVE (T3SE)</p>  <p>4"</p> <p>IF PAINTED, THIS SIDE</p> <p>SPECIFY PITCH</p> <p>2 1/2"</p> <p>5/8"</p> <p>3X 135°</p> <p>3/4"</p> <p>1/2" KICK, 1/2" HEM, CLOSED</p> <p>SCALE 1:5 S.O. 11-3/8" WEIGHT: 8.5 LBS.</p>	<p>.75" STANDARD GABLE (T3GS)</p>  <p>5/8"</p> <p>IF PAINTED, THIS SIDE</p> <p>4 1/2"</p> <p>1"</p> <p>5"</p> <p>3X 135°</p> <p>5/8" KICK, 1/2" HEM, CLOSED</p> <p>SCALE 1:5 S.O. 12-1/4" WEIGHT: 9 LBS.</p>

Through Fastener Flashing Selections

Ultra-Panel, Wide-Rib™, Hi-Rib, 4-V, GR-7™
 29/26GA: 12'6" Standard, 24GA: 10' Standard

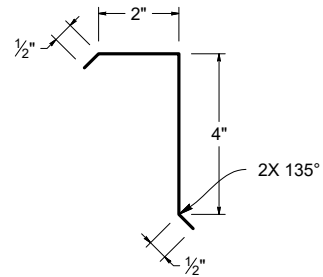


**.75" GABLE TRIM - LARGE
(T3CGL)**



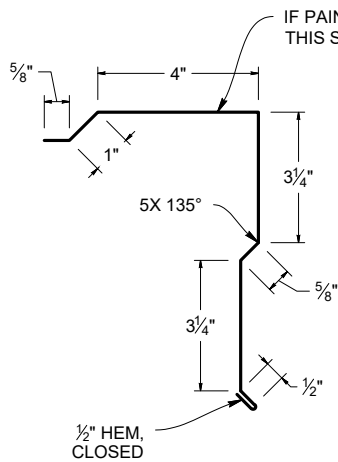
SCALE 1:5 S.O. 14" WEIGHT: 10.5 LBS.

**.75" GABLE TRIM - MINI
(T3CMG)**



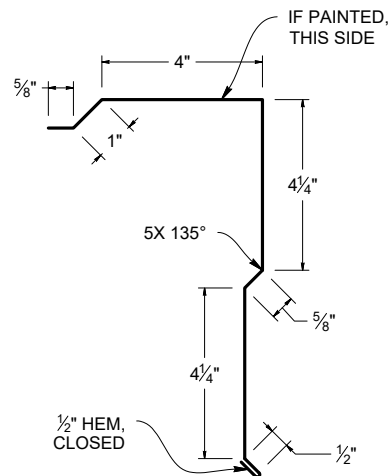
SCALE 1:5 S.O. 7" WEIGHT: 5.3 LBS.

**.75" 2X6 STEP GABLE
(T3SG6)**



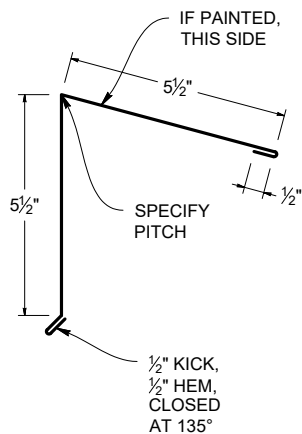
SCALE 1:5 S.O. 13-3/4" WEIGHT: 10.5 LBS.

**.75" 2X8 STEP GABLE
(T3SG8)**



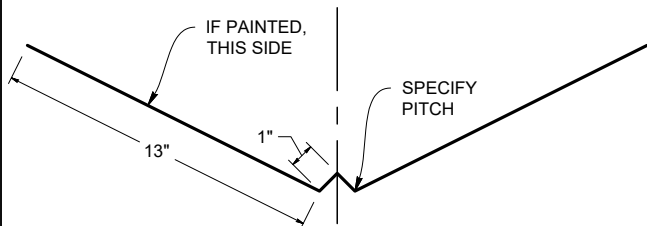
SCALE 1:5 S.O. 15-3/4" WEIGHT: 12 LBS.

**PEAK FLASHING
(T3RP)**



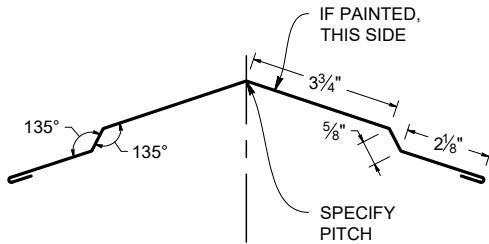
SCALE 1:5 S.O. 12-1/2" WEIGHT: 9.6 LBS.

**28" W-VALLEY
(T3VF)**



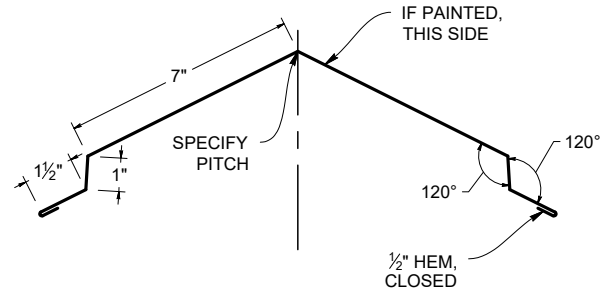
SCALE 1:8 S.O. 28" WEIGHT: 21 LBS.

**STANDARD RIDGE
(T3RS)**



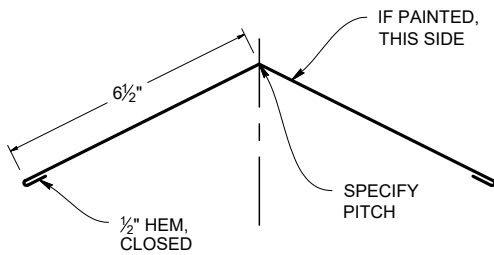
SCALE 1:5 S.O. 14" WEIGHT: 10.5 LBS.

**VENTED/WIDE RIDGE
(T3RVW)**



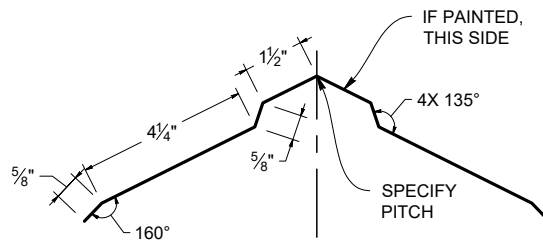
SCALE 1:6 S.O. 20" WEIGHT: 15.2 LBS.

**CABIN RIDGE
(T3CR)**



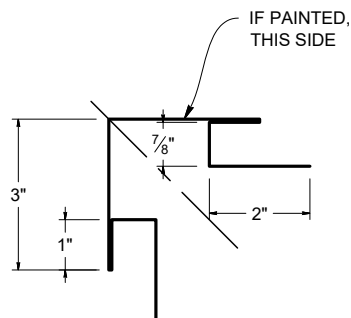
SCALE 1:5 S.O. 14" WEIGHT: 10.5 LBS.

**UNIVERSAL RIDGE
(T3UR)**



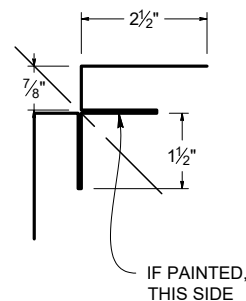
SCALE 1:5 S.O. 14" WEIGHT: 10.5 LBS.

**.75" OUTSIDE CORNER POST
(T3CPO)**



SCALE 1:4 S.O. 13-3/4" WEIGHT: 10.3 LBS.

**.75" INSIDE CORNER POST
(T3CPI)**



SCALE 1:4 S.O. 12-3/4" WEIGHT: 9.6 LBS.

Through Fastener Flashing Selections

Ultra-Panel, Wide-Rib™, Hi-Rib, 4-V, GR-7™

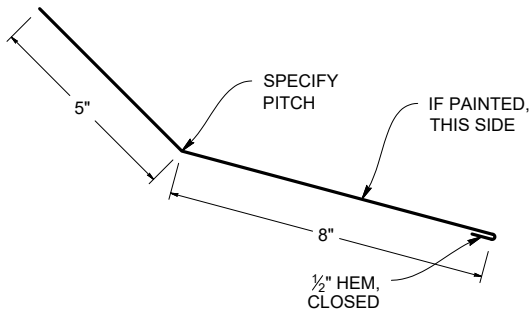
29/26GA: 12'6" Standard, 24GA: 10' Standard



CHAMPION METAL

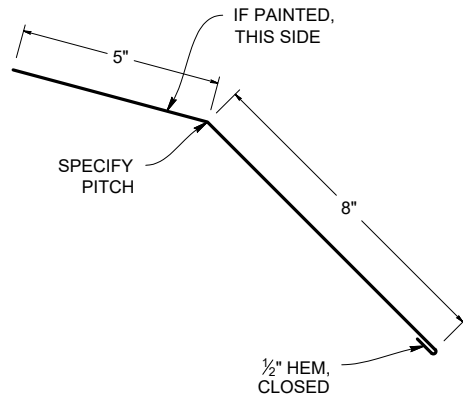
a Taylor Metal Company

INSIDE PITCH CHANGE (T3PCI)



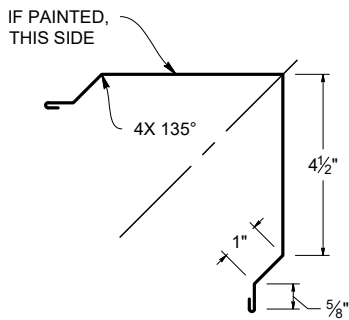
SCALE 1:5 S.O. 13-1/2" WEIGHT: 10.2 LBS.

OUTSIDE PITCH CHANGE (T3PCO)



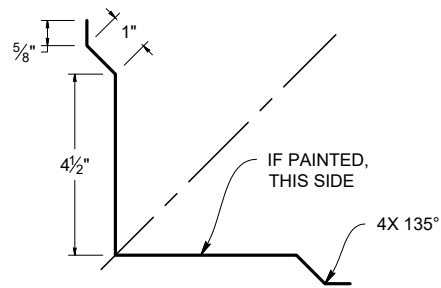
SCALE 1:5 S.O. 13-1/2" WEIGHT: 10.2 LBS.

.75" OUTSIDE CORNER (T3CO)



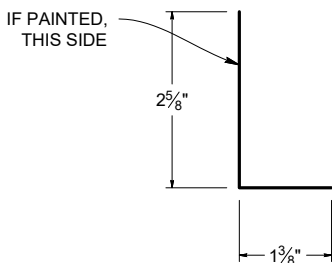
SCALE 1:5 S.O. 13-1/4" WEIGHT: 9.2 LBS.

.75" INSIDE CORNER (T3CI)



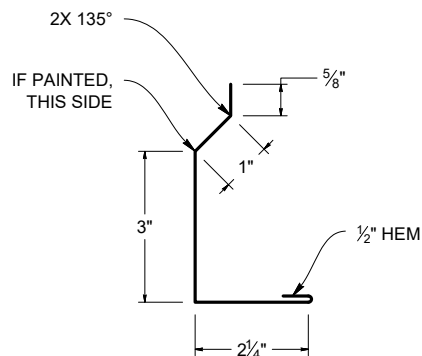
SCALE 1:5 S.O. 12-1/4" WEIGHT: 9 LBS.

DOOR EDGE (T3DE)

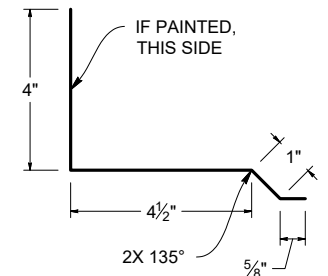
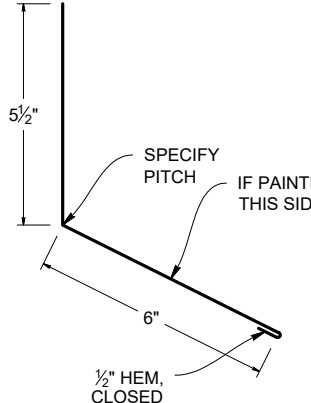
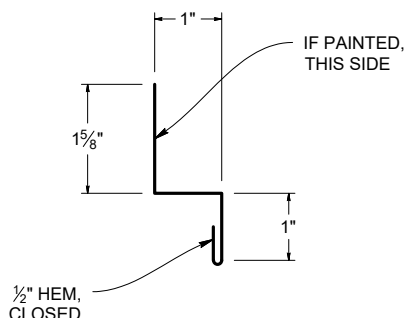
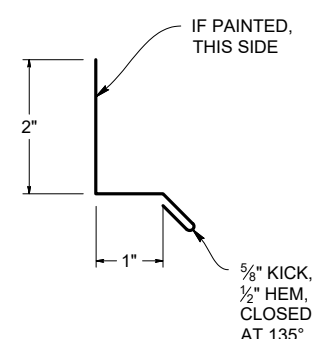
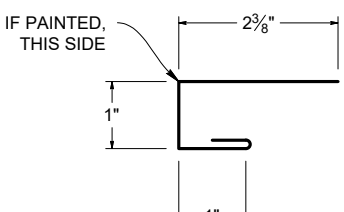
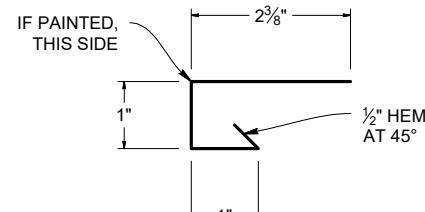


SCALE 1:3 S.O. 4" WEIGHT: 3 LBS.

.75" DOOR RAIL COVER (T3DRC)



SCALE 1:4 S.O. 7-3/8" WEIGHT: 5.6 LBS.

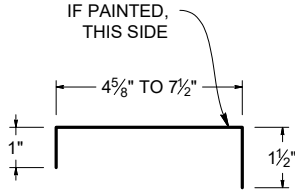
<p>.75" SIDEWALL (T3SW)</p>  <p>IF PAINTED, THIS SIDE</p> <p>4"</p> <p>4 1/2"</p> <p>1"</p> <p>5/8"</p> <p>2X 135°</p> <p>SCALE 1:5 S.O. 10-1/8" WEIGHT: 7.5 LBS.</p>	<p>ENDWALL (T3EW)</p>  <p>5 1/2"</p> <p>SPECIFY PITCH</p> <p>IF PAINTED, THIS SIDE</p> <p>6"</p> <p>1/2" HEM, CLOSED</p> <p>SCALE 1:5 S.O. 12" WEIGHT: 9 LBS.</p>
<p>.75" Z-FLASHING (T3ZF)</p>  <p>IF PAINTED, THIS SIDE</p> <p>1"</p> <p>1 5/8"</p> <p>1"</p> <p>1/2" HEM, CLOSED</p> <p>SCALE 1:3 S.O. 4-1/8" WEIGHT: 3.2 LBS.</p>	<p>.75" BASE FLASHING (T3BF)</p>  <p>IF PAINTED, THIS SIDE</p> <p>2"</p> <p>1"</p> <p>5/8" KICK, 1/2" HEM, CLOSED AT 135°</p> <p>SCALE 1:3 S.O. 4-1/8" WEIGHT: 3 LBS.</p>
<p>.75" C-FLASHING (T3CF)</p>  <p>IF PAINTED, THIS SIDE</p> <p>2 3/8"</p> <p>1"</p> <p>1"</p> <p>SCALE 1:3 S.O. 4-7/8" WEIGHT: 3.7 LBS.</p>	<p>.75" VERTICAL JAMB TRIM (T3VJT)</p>  <p>IF PAINTED, THIS SIDE</p> <p>2 3/8"</p> <p>1"</p> <p>1"</p> <p>1/2" HEM AT 45°</p> <p>SCALE 1:3 S.O. 4-7/8" WEIGHT: 3.7 LBS.</p>

Through Fastener Flashing Selections

Ultra-Panel, Wide-Rib™, Hi-Rib, 4-V, GR-7™
 29/26GA: 12'6" Standard, 24GA: 10' Standard

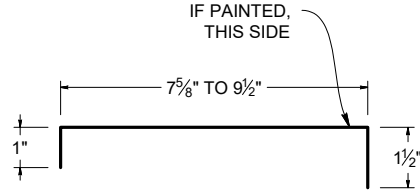


DOOR JAMB 4-5/8" TO 7-1/2"
(T3DJ5)



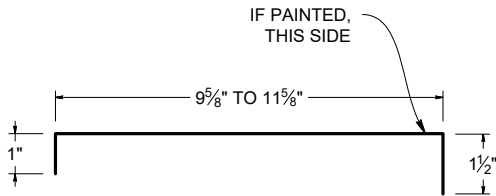
SCALE 1:5 S.O. VARIES WEIGHT: 5.3 LBS.

DOOR JAMB 7-5/8" TO 9-1/2"
(T3DJ7)



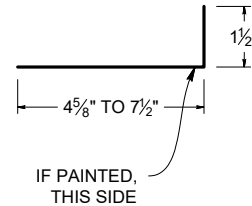
SCALE 1:5 S.O. VARIES WEIGHT: 7.6 LBS.

DOOR JAMB 9-5/8" TO 11-5/8"
(T3DJ9)



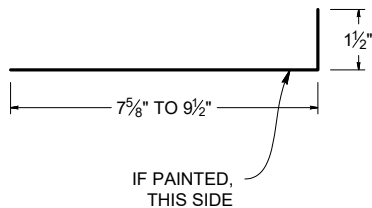
SCALE 1:5 S.O. VARIES WEIGHT: 9.1 LBS.

OPEN JAMB 4-5/8" TO 7-1/2"
(T3OJ5)



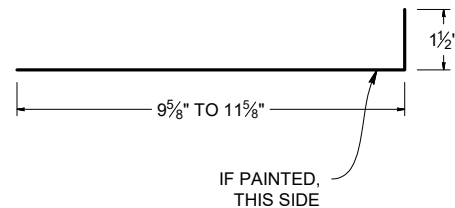
SCALE 1:5 S.O. VARIES WEIGHT: 4.6 LBS.

OPEN JAMB 7-5/8" TO 9-1/2"
(T3OJ7)



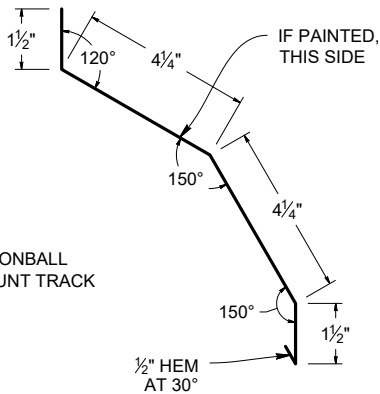
SCALE 1:5 S.O. VARIES WEIGHT: 6.8 LBS.

OPEN JAMB 9-5/8" TO 11-5/8"
(T3OJ9)



SCALE 1:5 S.O. VARIES WEIGHT: 8.3 LBS.

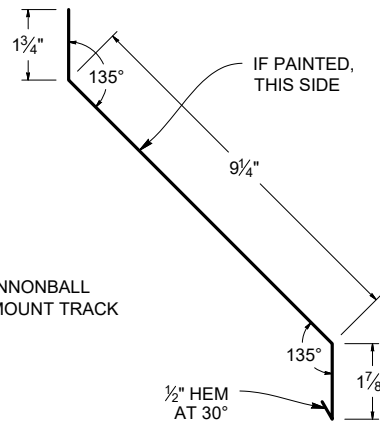
**SINGLE TRACK COVER (FACEMOUNT)
(T3TCS)**



*USE WITH CANNONBALL ROUND FACEMOUNT TRACK

SCALE 1:5 S.O. 12" WEIGHT: 9 LBS.

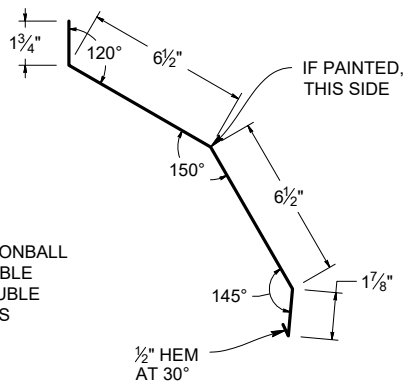
**SINGLE TRACK COVER (STUDMOUNT)
(T3TCSCB)**



*USE WITH CANNONBALL ROUND STUDMOUNT TRACK

SCALE 1:5 S.O. 13-3/8" WEIGHT: 10 LBS.

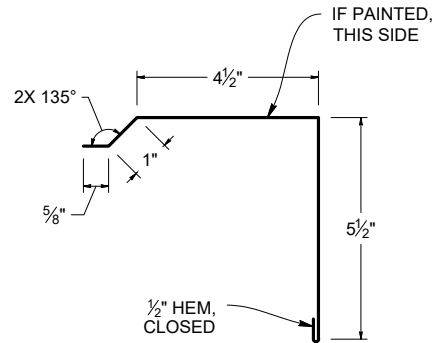
**DOUBLE TRACK COVER (STUDMOUNT)
(T3TDCB)**



*USE WITH CANNONBALL ROUND ADJUSTABLE STUDMOUNT DOUBLE TRACK BRACKETS

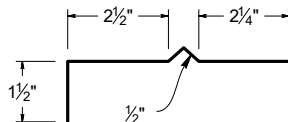
SCALE 1:8 S.O. 17-1/8" WEIGHT: 12.9 LBS.

**.75" DOOR OPENING
(T3DO)**



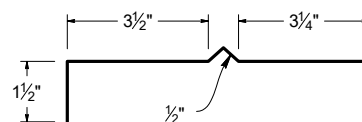
SCALE 1:5 S.O. 12-1/8" WEIGHT: 9 LBS.

**1.5" X 5.5" SPECIAL RAKE
(T3CR1S)**



SCALE 1:5 S.O. 7-1/4" WEIGHT: 5.4 LBS.

**1.5" X 7" SPECIAL RAKE
(T3CR7S)**



SCALE 1:5 S.O. 9-1/4" WEIGHT: 6.9 LBS.

Through Fastener Flashing Selections

PBR, Marion "R" Panel™

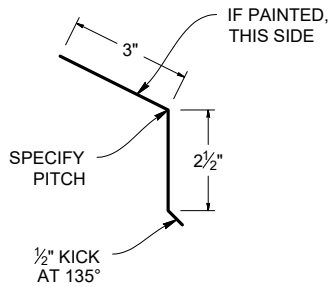
29/26GA: 12'6" Standard, 24GA: 10' Standard



CHAMPION METAL

a Taylor Metal Company

STANDARD EAVE (PBRES)

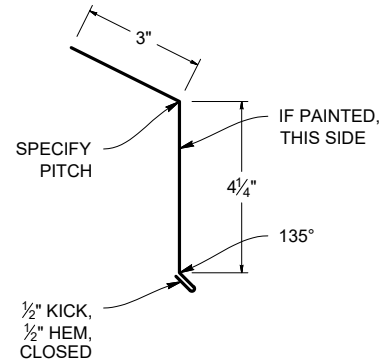


SCALE 1:5

S.O. 6"

WEIGHT: 4.5 LBS.

4" EAVE (PBRE4)

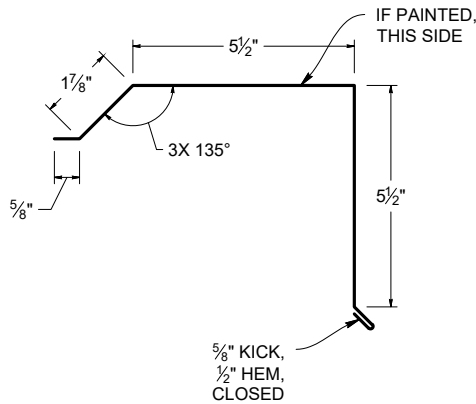


SCALE 1:5

S.O. 8-1/4"

WEIGHT: 6.3 LBS.

PBR GABLE (PBRGS)

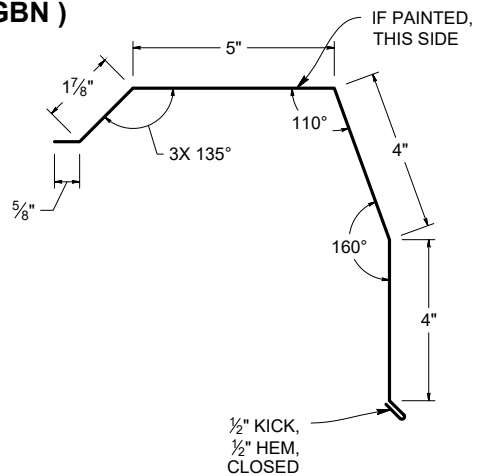


SCALE 1:5

S.O. 14-5/8"

WEIGHT: 10.8 LBS.

PBR BULL NOSE GABLE (PBRGBN)

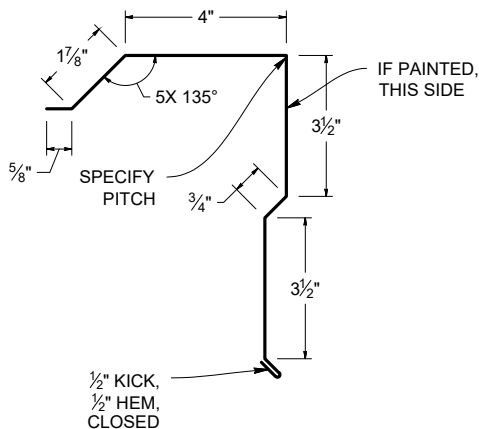


SCALE 1:5

S.O. 16-1/2"

WEIGHT: 12.3 LBS.

PBR 2X6 STEP GABLE (PBRSG)

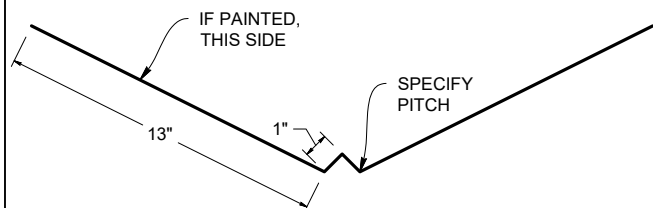


SCALE 1:5

S.O. 15-1/4"

WEIGHT: 11.3 LBS.

28" W-VALLEY (PBRVF)

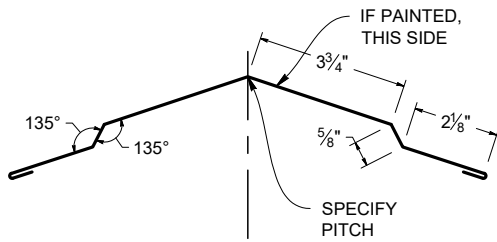


SCALE 1:8

S.O. 28"

WEIGHT: 21 LBS.

**STANDARD RIDGE
(PBRRS)**

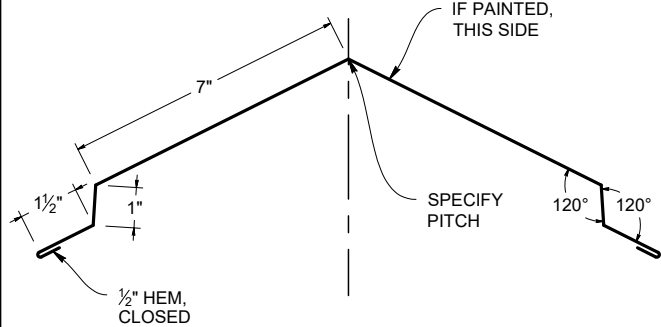


SCALE 1:5

S.O. 14"

WEIGHT: 10.5 LBS.

**VENTED/WIDE RIDGE
(PBRRVW)**

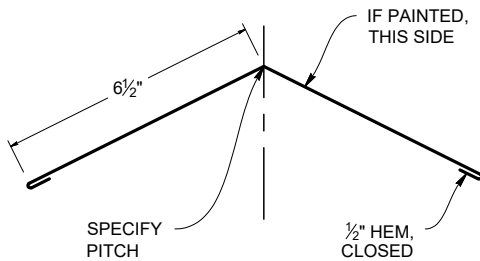


SCALE 1:5

S.O. 20"

WEIGHT: 15 LBS.

**CABIN RIDGE
(PBRCR)**

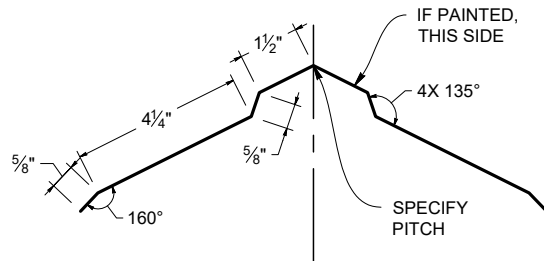


SCALE 1:5

S.O. 14"

WEIGHT: 10.5 LBS.

**UNIVERSAL RIDGE
(PBRUR)**



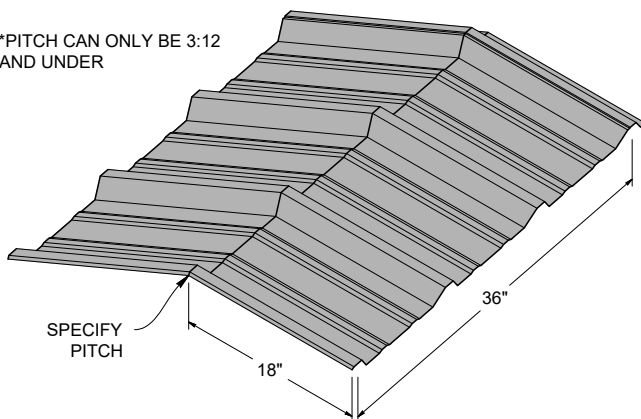
SCALE 1:5

S.O. 14"

WEIGHT: 10.5 LBS.

**PBR FORMED RIDGE
(TPBRFR)**

*PITCH CAN ONLY BE 3:12 AND UNDER

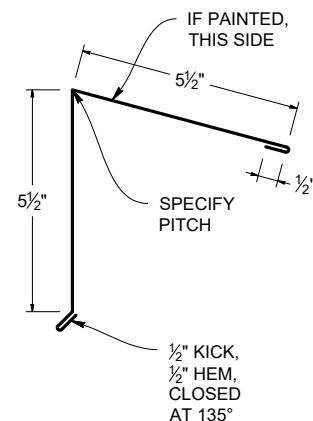


SCALE 1:20

S.O. VARIES

WEIGHT: VARIES

**PEAK FLASHING
(PBRRP)**



SCALE 1:5

S.O. 12-1/2"

WEIGHT: 9.6 LBS.

Through Fastener Flashing Selections

PBR, Marion "R" Panel™

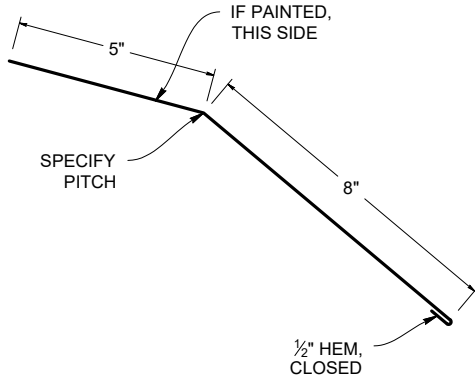
29/26GA: 12'6" Standard, 24GA: 10' Standard



CHAMPION METAL

a Taylor Metal Company

OUTSIDE PITCH CHANGE (PBRPCO)

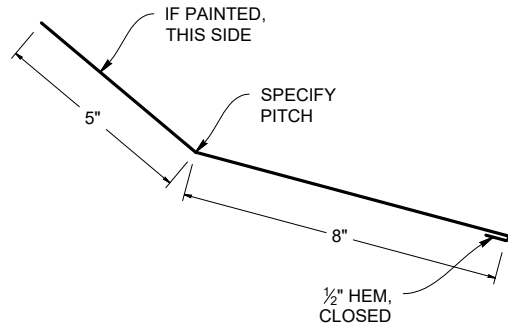


SCALE 1:5

S.O. 13-1/2"

WEIGHT: 10.2 LBS.

INSIDE PITCH CHANGE (PBRPCI)

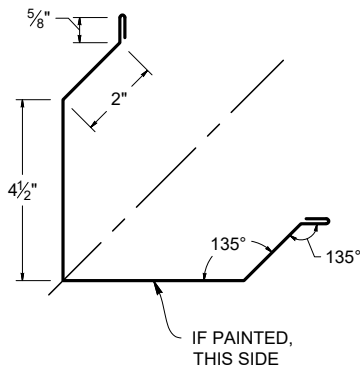


SCALE 1:5

S.O. 13-1/2"

WEIGHT: 10.2 LBS.

PBR OUTSIDE CORNER (PBRCO)

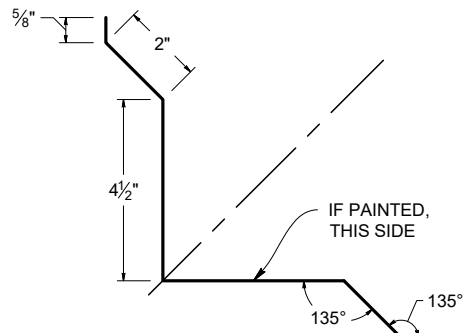


SCALE 1:5

S.O. 15-1/4"

WEIGHT: 10.9 LBS.

PBR INSIDE CORNER (PBRCI)

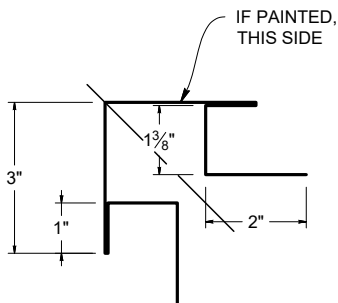


SCALE 1:5

S.O. 14-1/4"

WEIGHT: 10.5 LBS.

PBR OUTSIDE CORNER POST (PBRPCO)

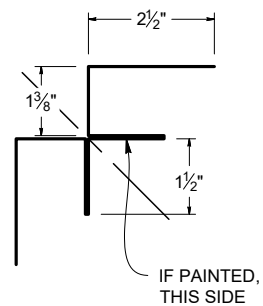


SCALE 1:4

S.O. 14-3/4"

WEIGHT: 11 LBS.

PBR INSIDE CORNER POST (PBRPCI)

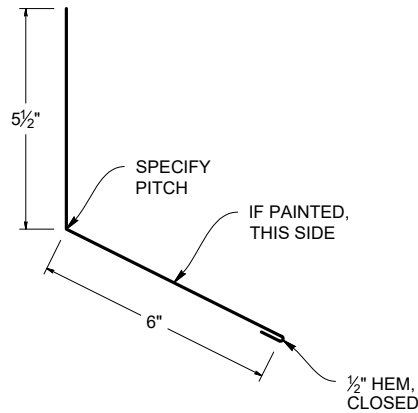


SCALE 1:4

S.O. 13-3/4"

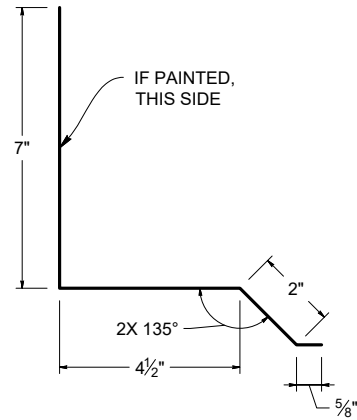
WEIGHT: 10.3 LBS.

**ENDWALL
(PBREW)**



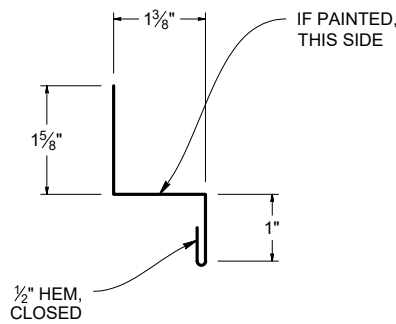
SCALE 1:5 S.O. 12" WEIGHT: 9 LBS.

**PBR SIDEWALL
(PBRSW)**



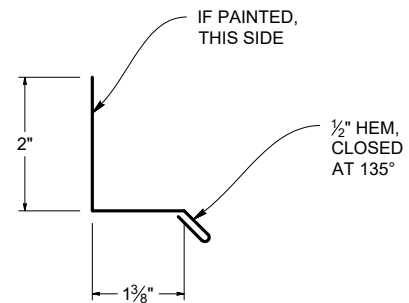
SCALE 1:5 S.O. 14-1/8" WEIGHT: 10.5 LBS.

**PBR Z-FLASHING
(PBRZF)**



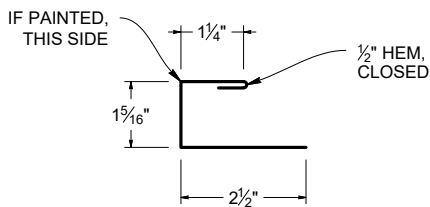
SCALE 1:3 S.O. 4-1/2" WEIGHT: 3.5 LBS.

**PBR BASE FLASHING
(PBRBF)**



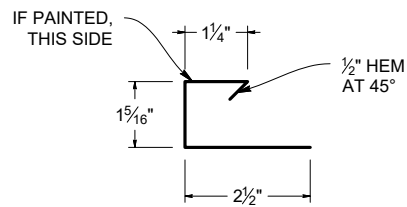
SCALE 1:3 S.O. 4-3/8" WEIGHT: 3.4 LBS.

**PBR C-FLASHING
(PBRCF)**



SCALE 1:4 S.O. 5-9/16" WEIGHT: 4.2 LBS.

**PBR VERTICAL JAMB TRIM
(PBRVJT)**



SCALE 1:4 S.O. 5-9/16" WEIGHT: 4.2 LBS.

Through Fastener Flashing Selections

PBR, Marion "R" Panel™

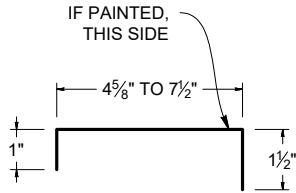
29/26GA: 12'6" Standard, 24GA: 10' Standard



CHAMPION METAL

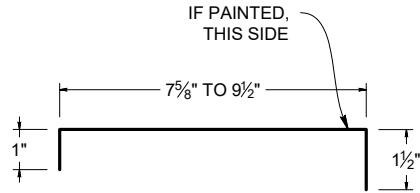
a Taylor Metal Company

DOOR JAMB 4-5/8" TO 7-1/2"
(PBRDJ5)



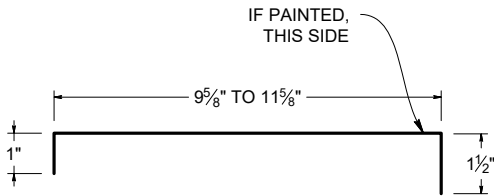
SCALE 1:5 S.O. VARIES WEIGHT: 5.34 LBS.

DOOR JAMB 7-5/8" TO 9-1/2"
(PBRDJ7)



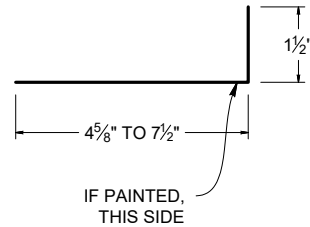
SCALE 1:5 S.O. VARIES WEIGHT: 7.6 LBS.

DOOR JAMB 9-5/8" TO 11-5/8"
(PBRDJ9)



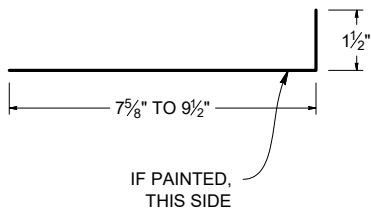
SCALE 1:5 S.O. VARIES WEIGHT: 9.1 LBS.

OPEN JAMB 4-5/8" TO 7-1/2"
(PBROJ5)



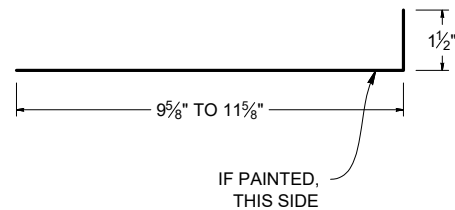
SCALE 1:4 S.O. VARIES WEIGHT: 4.6 LBS.

OPEN JAMB 7-5/8" TO 9-1/2"
(PBROJ7)



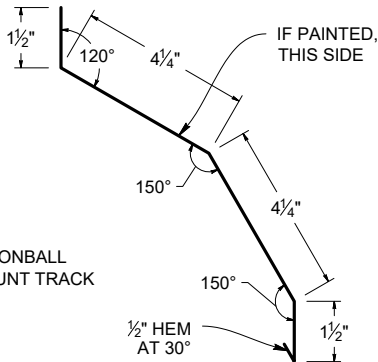
SCALE 1:5 S.O. VARIES WEIGHT: 6.8 LBS.

OPEN JAMB 9-5/8" TO 11-5/8"
(PBROJ9)



SCALE 1:5 S.O. VARIES WEIGHT: 8.3 LBS.

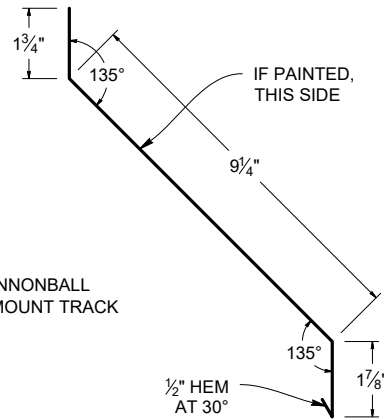
**SINGLE TRACK (FACEMOUNT)
(PBR TCS)**



*USE WITH CANNONBALL ROUND FACEMOUNT TRACK

SCALE 1:5 S.O. 12" WEIGHT: 9 LBS.

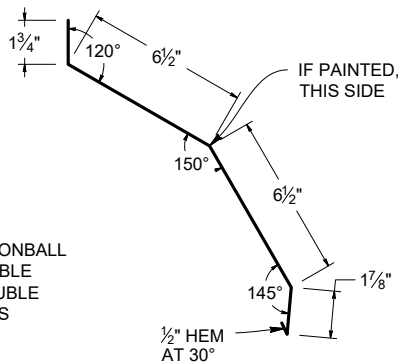
**SINGLE TRACK (STUDMOUNT)
(PBR TCS CB)**



*USE WITH CANNONBALL ROUND STUDMOUNT TRACK

SCALE 1:5 S.O. 13-3/8" WEIGHT: 10.1 LBS.

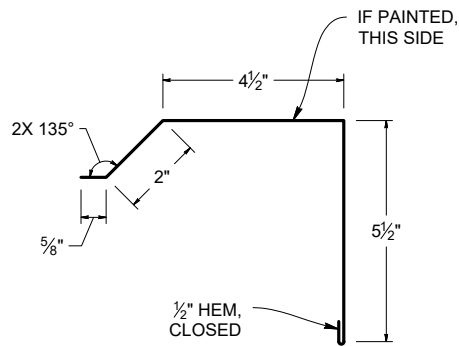
**DOUBLE TRACK (STUDMOUNT)
(PBR TDCB)**



*USE WITH CANNONBALL ROUND ADJUSTABLE STUDMOUNT DOUBLE TRACK BRACKETS

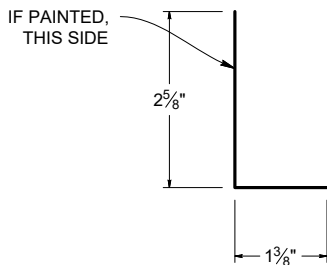
SCALE 1:8 S.O. 17-1/8" WEIGHT: 12.9 LBS.

**PBR DOOR OPENING TRIM
(PBR DO)**



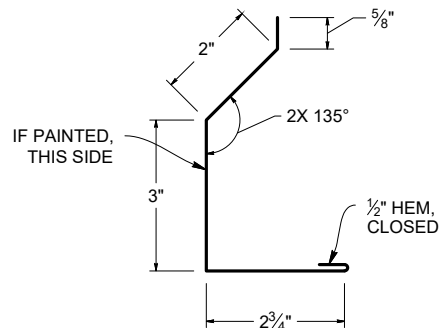
SCALE 1:5 S.O. 13-1/8" WEIGHT: 9.7 LBS.

**DOOR EDGE
(PBR DE)**



SCALE 1:3 S.O. 4" WEIGHT: 3 LBS.

**PBR DOOR RAIL COVER
(PBR DRC)**



SCALE 1:4 S.O. 8-7/8" WEIGHT: 6.6 LBS.

Through Fastener Flashing Selections

PBR, Marion "R" Panel™

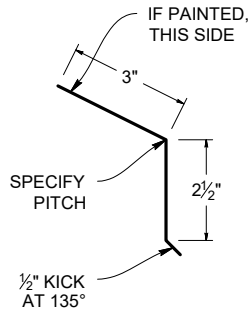
29/26GA: 12'6" Standard, 24GA: 10' Standard



CHAMPION METAL

a Taylor Metal Company

STANDARD EAVE (2CES)

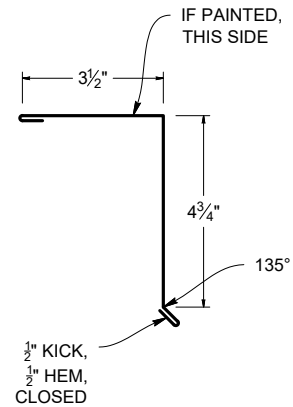


SCALE 1:5

S.O. 6"

WEIGHT: 4.5 LBS.

CORRUGATED GABLE (2CGS)

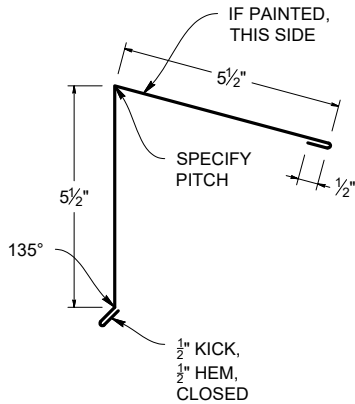


SCALE 1:5

S.O. 9-3/4"

WEIGHT: 7.3 LBS.

PEAK FLASHING (2CRP)

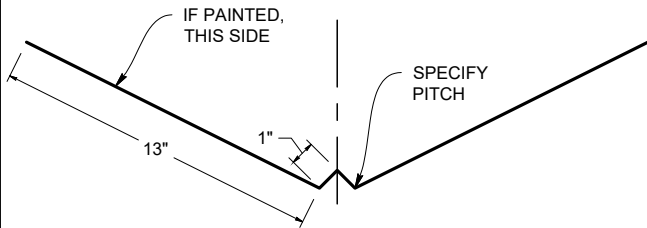


SCALE 1:5

S.O. 12-1/2"

WEIGHT: 9.6 LBS.

28" W-VALLEY (2CVF)

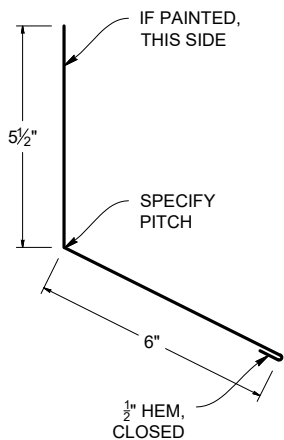


SCALE 1:8

S.O. 28"

WEIGHT: 21 LBS.

ENDWALL (2CEW)

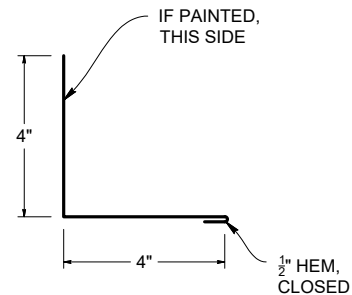


SCALE 1:5

S.O. 12"

WEIGHT: 9 LBS.

CORRUGATED SIDEWALL (2CSW)

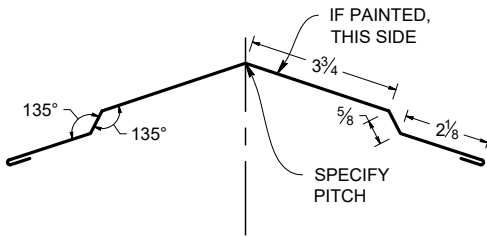


SCALE 1:5

S.O. 8-1/2"

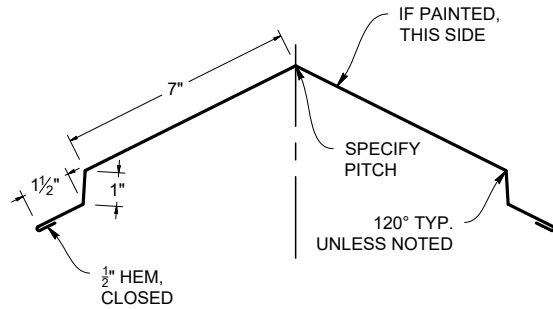
WEIGHT: 6.5 LBS.

**STANDARD RIDGE
(2CRS)**



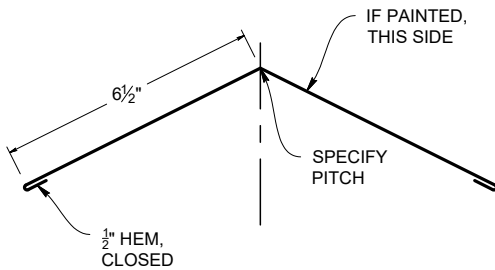
SCALE 1:5 S.O. 14" WEIGHT: 10.5 LBS.

**VENTED/WIDE RIDGE
(2CRVW)**



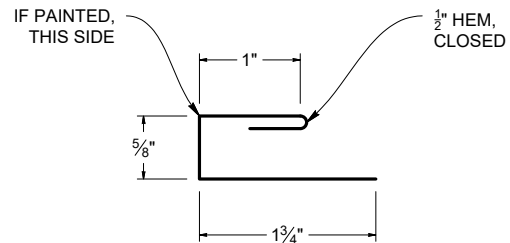
SCALE 1:6 S.O. 20" WEIGHT: 15 LBS.

**CABIN RIDGE
(2CCR)**



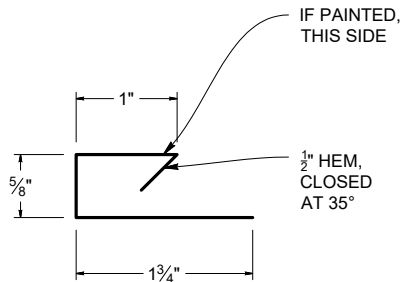
SCALE 1:5 S.O. 14" WEIGHT: 10.5 LBS.

**CORRUGATED C-FLASHING
(2CCF)**



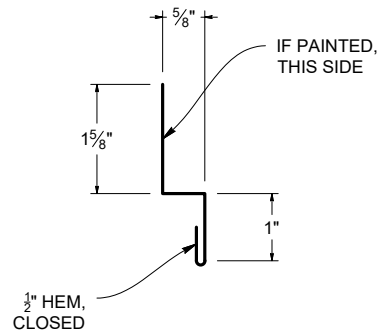
SCALE 1:2 S.O. 3-7/8" WEIGHT: 2.9 LBS.

**CORRUGATED VERTICAL JAMB TRIM
(2CVJT)**



SCALE 1:2 S.O. 3-7/8" WEIGHT: 2.9 LBS.

**CORRUGATED Z-FLASHING
(2CZF)**



SCALE 1:4 S.O. 3-3/4" WEIGHT: 2.8 LBS.

Through Fastener Flashing Selections

2.5" Corrugated

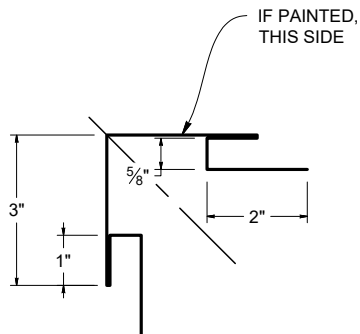
29/26GA: 12'6" Standard, 24GA: 10' Standard



CHAMPION METAL

a Taylor Metal Company

CORRUGATED OUTSIDE CORNER POST (2CCPO)

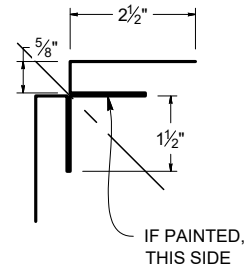


SCALE 1:4

S.O. 13-1/4"

WEIGHT: 9.9 LBS.

CORRUGATED INSIDE CORNER POST (2CCPI)

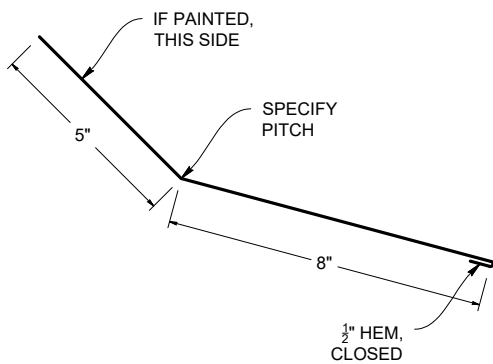


SCALE 1:4

S.O. 12-1/4"

WEIGHT: 9.2 LBS.

INSIDE PITCH CHANGE (2CPCI)

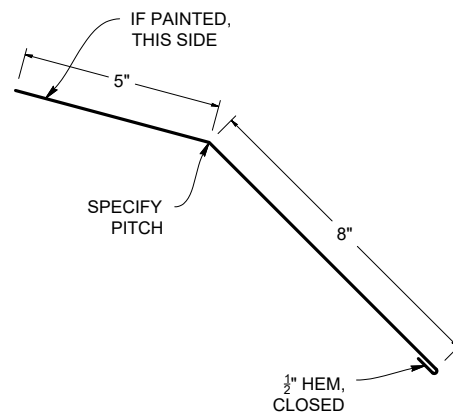


SCALE 1:5

S.O. 13-1/2"

WEIGHT: 10.2 LBS.

OUTSIDE PITCH CHANGE (2CPCO)

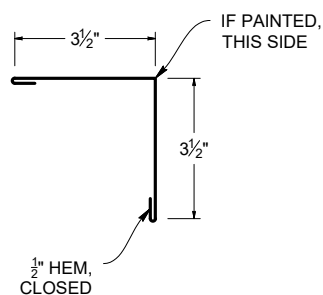


SCALE 1:5

S.O. 13-1/2"

WEIGHT: 10.2 LBS.

CORRUGATED OUTSIDE CORNER (2CCO)

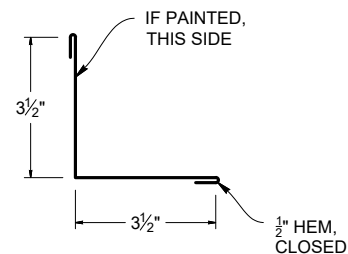


SCALE 1:5

S.O. 8"

WEIGHT: 6 LBS.

CORRUGATED INSIDE CORNER (2CCI)



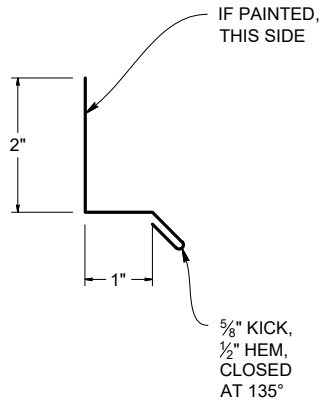
SCALE 1:5

S.O. 8"

WEIGHT: 6 LBS.



**.75" BASE FLASHING
(2CBF)**



SCALE 1:3

S.O. 4-1/8"

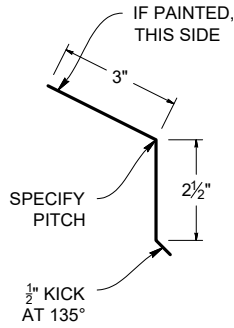
WEIGHT: 3 LBS.

Through Fastener Flashing Selections

Classic 7/8" Corrugated
29/26GA: 12'6" Standard, 24GA: 10' Standard

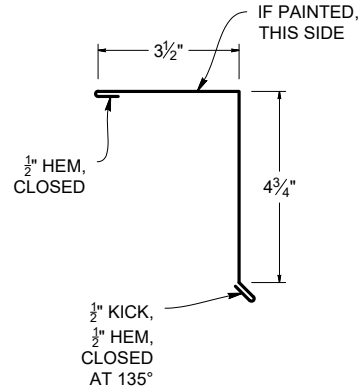


STANDARD EAVE (CCES)



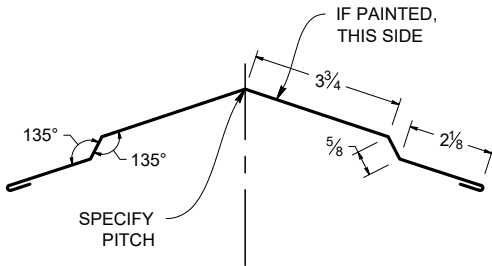
SCALE 1:5 S.O. 6" WEIGHT: 4.5 LBS.

CLASSIC CORRUGATED GABLE (CCGS)



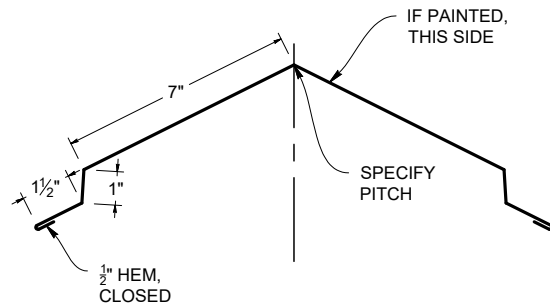
SCALE 1:5 S.O. 9-3/4" WEIGHT: 7.1 LBS.

STANDARD RIDGE (CCRS)



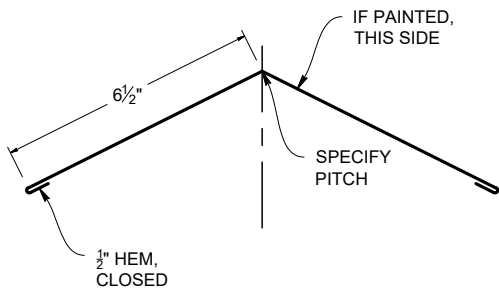
SCALE 1:5 S.O. 14" WEIGHT: 10.5 LBS.

VENTED/WIDE RIDGE (CCRVW)



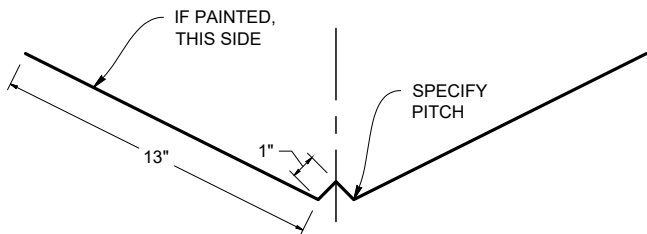
SCALE 1:6 S.O. 20" WEIGHT: 15 LBS.

CABIN RIDGE (CCCR)



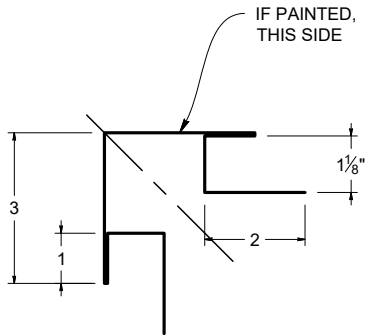
SCALE 1:5 S.O. 14" WEIGHT: 10.5 LBS.

28" W-VALLEY (CCVF)



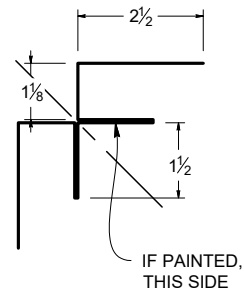
SCALE 1:8 S.O. 28" WEIGHT: 21 LBS.

CLASSIC CORRUGATED OUTSIDE CORNER POST (CCCPO)



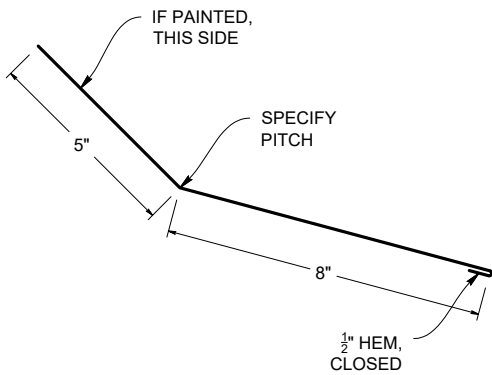
SCALE 1:4 S.O. 14-1/4" WEIGHT: 10.5 LBS.

CLASSIC CORRUGATED INSIDE CORNER POST (CCCPI)



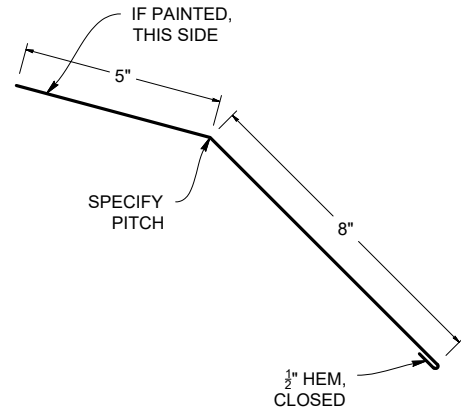
SCALE 1:4 S.O. 13-1/4" WEIGHT: 9.8 LBS.

INSIDE PITCH CHANGE (CCPCI)



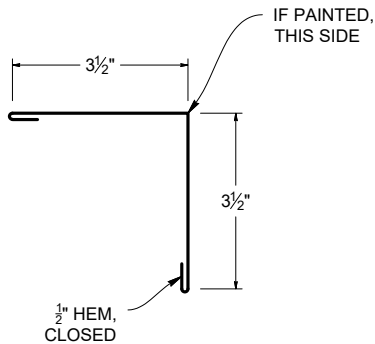
SCALE 1:5 S.O. 13-1/2" WEIGHT: 10.2 LBS.

OUTSIDE PITCH CHANGE (CCPCO)



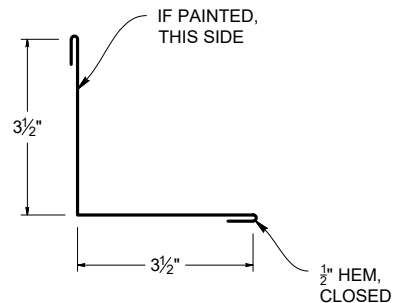
SCALE 1:5 S.O. 13-1/2" WEIGHT: 10.2 LBS.

CLASSIC CORRUGATED OUTSIDE CORNER (CCCO)



SCALE 1:4 S.O. 8" WEIGHT: 6 LBS.

CLASSIC CORRUGATED INSIDE CORNER (CCCI)



SCALE 1:4 S.O. 8" WEIGHT: 6 LBS.

Through Fastener Flashing Selections

Classic 7/8" Corrugated

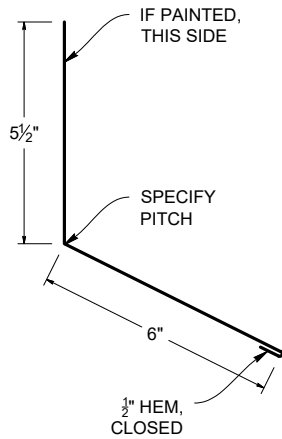
29/26GA: 12'6" Standard, 24GA: 10' Standard



CHAMPION METAL

a Taylor Metal Company

ENDWALL (CCEW)

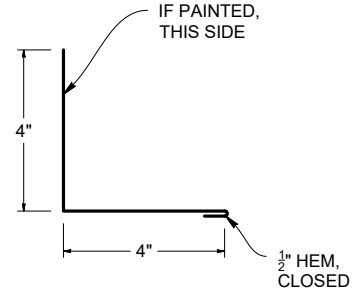


SCALE 1:5

S.O. 12"

WEIGHT: 9 LBS.

CLASSIC CORRUGATED SIDEWALL (CCSW)

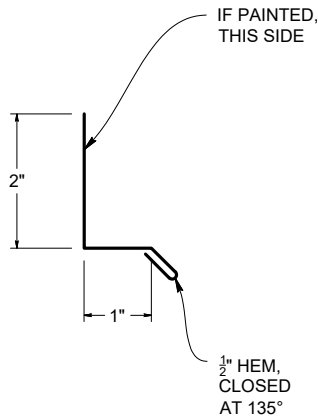


SCALE 1:5

S.O. 8-1/2"

WEIGHT: 6.5 LBS.

CLASSIC CORRUGATED BASE FLASHING (CCBF)

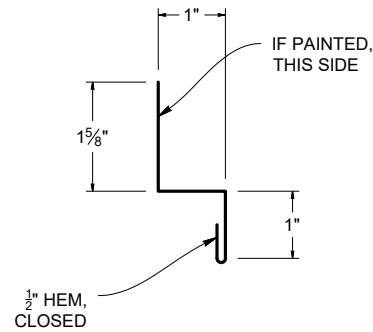


SCALE 1:3

S.O. 4"

WEIGHT: 3 LBS.

CLASSIC CORRUGATED Z-FLASHING (CCZF)

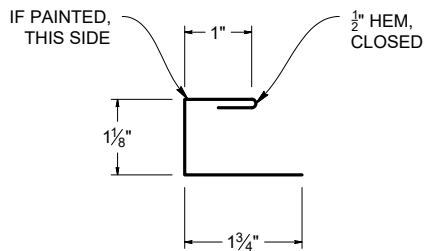


SCALE 1:3

S.O. 4-1/8"

WEIGHT: 3.2 LBS.

CLASSIC CORRUGATED C-FLASHING (CCCF)

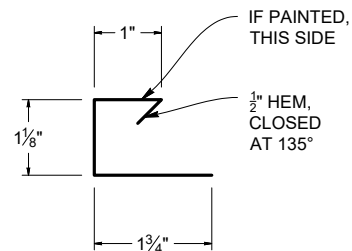


SCALE 1:3

S.O. 4-3/8"

WEIGHT: 3.3 LBS.

CLASSIC CORRUGATED VERTICAL JAMB TRIM (CCVJT)

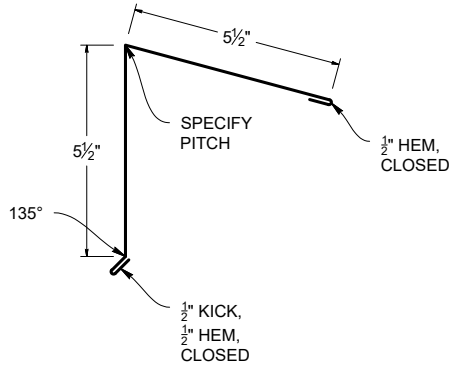


SCALE 1:3

S.O. 4-3/8"

WEIGHT: 3.3 LBS.

PEAK FLASHING (CCRP)



SCALE 1:5

S.O. 12-1/2"

WEIGHT: 9.6 LBS.

Through Fastener Flashing Selections

HR-34™

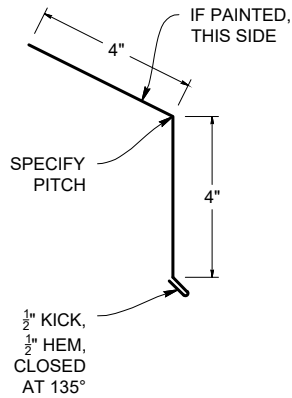
29/26GA: 12'6" Standard, 24GA: 10' Standard



CHAMPION METAL

a Taylor Metal Company

HR-34 EAVE (HRES)

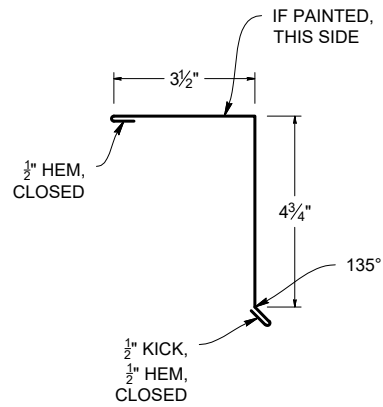


SCALE 1:5

S.O. 9"

WEIGHT: 6.8 LBS.

HR-34 GABLE (HRGS)

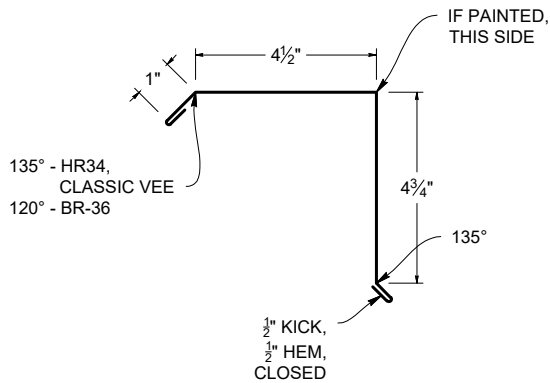


SCALE 1:5

S.O. 9-3/4"

WEIGHT: 7.2 LBS.

HR-34 GABLE B (HRGSB)

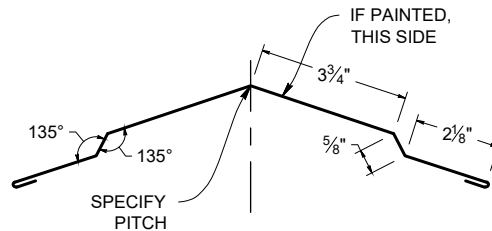


SCALE 1:5

S.O. 11-3/4"

WEIGHT: 8.8 LBS.

STANDARD RIDGE (HRRS)

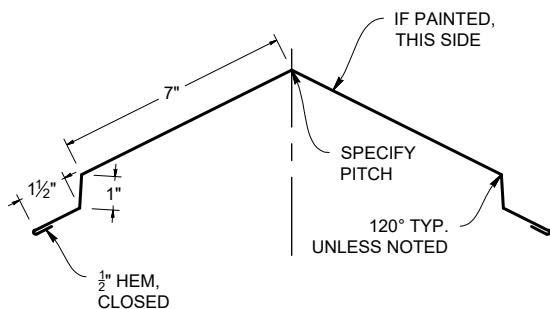


SCALE 1:5

S.O. 14"

WEIGHT: 10.5 LBS.

VENTED/WIDE RIDGE (HRRVW)

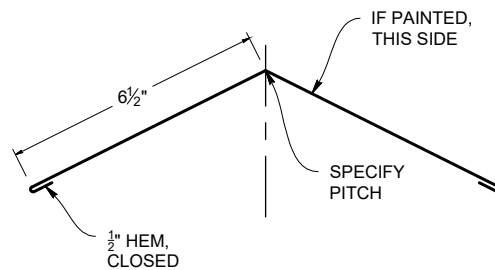


SCALE 1:6

S.O. 20"

WEIGHT: 15 LBS.

CABIN RIDGE (HRCR)

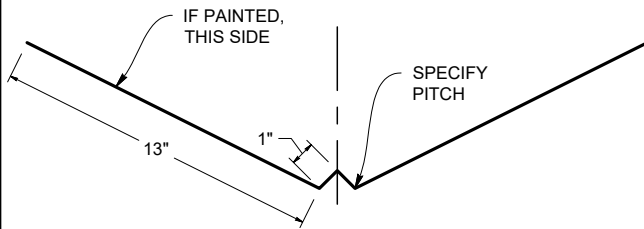


SCALE 1:5

S.O. 14"

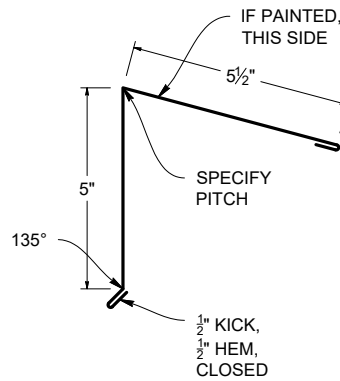
WEIGHT: 10.5 LBS.

**28" W-VALLEY
(HRVF)**



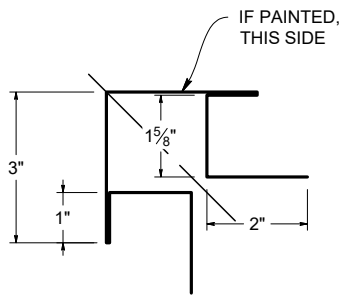
SCALE 1:8 S.O. 28" WEIGHT: 21 LBS.

**HR-34 PEAK FLASHING
(HRRP)**



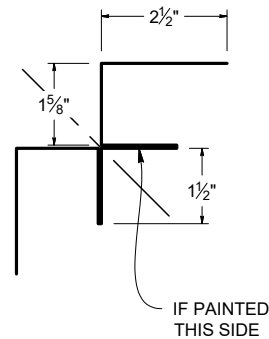
SCALE 1:5 S.O. 12" WEIGHT: 9 LBS.

**HR-34 OUTSIDE CORNER POST
(HRCPO)**



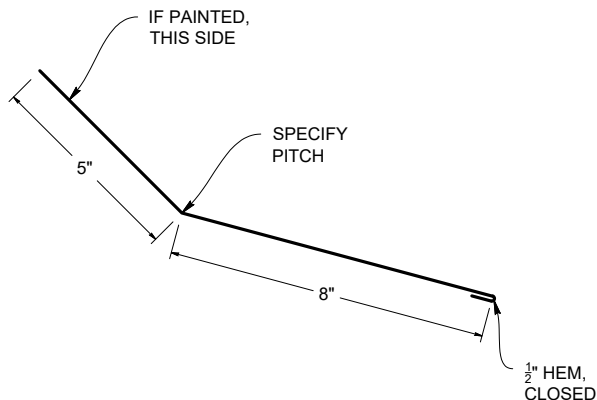
SCALE 1:4 S.O. 15-1/4" WEIGHT: 11.4 LBS.

**HR-34 INSIDE CORNER POST
(HRCPI)**



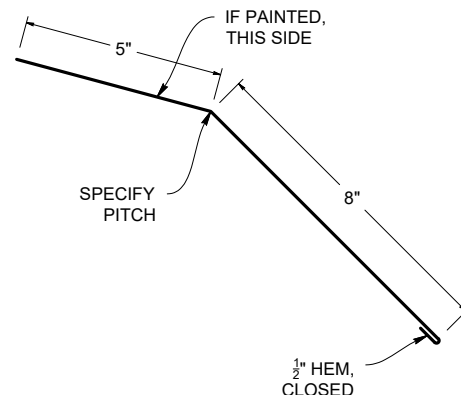
SCALE 1:4 S.O. 14-1/4" WEIGHT: 10.7 LBS.

**INSIDE PITCH CHANGE
(HRPCI)**



SCALE 1:5 S.O. 13-1/2" WEIGHT: 10.1 LBS.

**OUTSIDE PITCH CHANGE
(HRPCO)**



SCALE 1:5 S.O. 13-1/2" WEIGHT: 10.1 LBS.

Through Fastener Flashing Selections

HR-34™

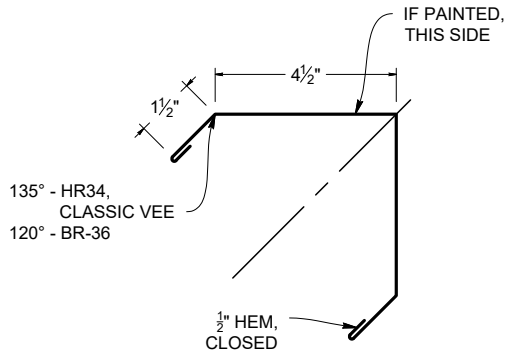
29/26GA: 12'6" Standard, 24GA: 10' Standard



CHAMPION METAL

a Taylor Metal Company

HR-34 OUTSIDE CORNER (HRCO)

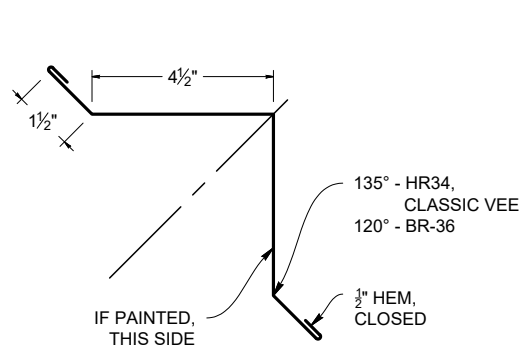


SCALE 1:5

S.O. 13"

WEIGHT: 9.8 LBS.

HR-34 INSIDE CORNER (HRCI)

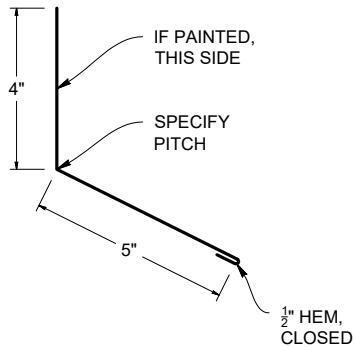


SCALE 1:5

S.O. 13"

WEIGHT: 9.8 LBS.

HR-34 ENDWALL (HREW)

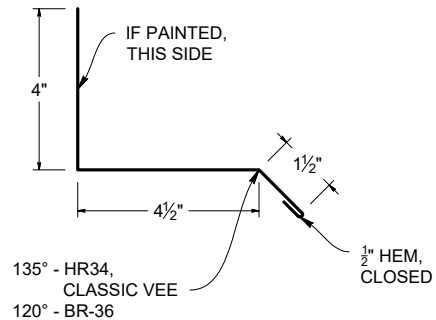


SCALE 1:5

S.O. 9-1/2"

WEIGHT: 7.1 LBS.

HR-34 SIDEWALL (HRSW)

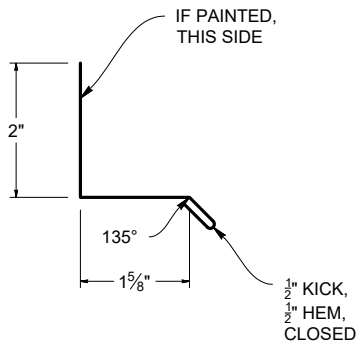


SCALE 1:5

S.O. 10-1/2"

WEIGHT: 7.9 LBS.

HR-34 BASE FLASHING (HRBF)

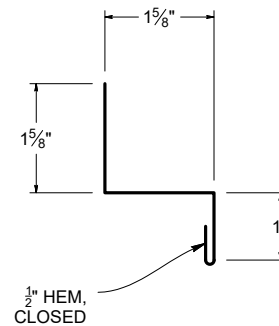


SCALE 1:3

S.O. 4-5/8"

WEIGHT: 3.5 LBS.

HR-34 Z-FLASHING (HRZF)

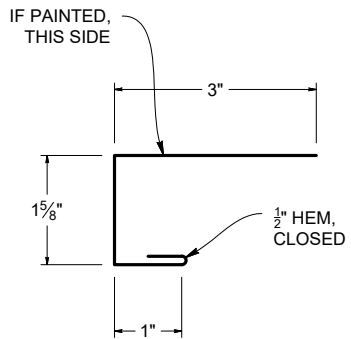


SCALE 1:3

S.O. 4-3/4"

WEIGHT: 3.6 LBS.

**HR-34 C-FLASHING
(HRCF)**

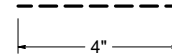


SCALE 1:3

S.O. 6-1/8"

WEIGHT: 4.5 LBS.

**HR-34 4" PERFORATED STRIP
(HRPS)**

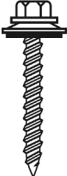
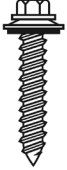







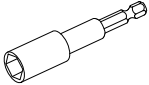
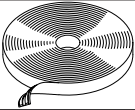
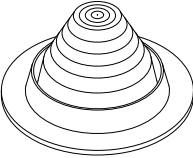
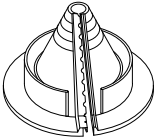
SCALE 1:5

S.O. 4"

WEIGHT: 3 LBS.

Through Fastener Accessories

FASTENER	DESCRIPTION	Size	Quantity	
	#10 Woodfast Screw: Metal to wood, use for panel attachment to dimensional lumber. 1/4" Hex head with washer. Available in painted and galvanized.	10 x 1"	100/Bag	3,000/Box
		10 x 1-1/2"	100/Bag	2,500/Box
		(available upon request) 10 x 2"	100/Bag	2,000/Box
	#14 Woodfast Screw: Metal to wood, use for panel attachment to dimensional lumber. 5/16" Hex head with washer. Available in painted and galvanized.	14 x 1"	100/Bag	2,500/Box
		(available upon request) 14 x 1-1/2"	100/Bag	2,000/Box
	#12 Stitch Screw: Metal to metal, use for trim to panel, trim to trim and side lap attachment. 1/4" Hex head with washer. Available in painted and galvanized.	12 x 13/4"	100/Bag	3,000/Box
	#12 Tek Screw: Metal to metal, use for panel attachment to metal purlins. 5/16" Hex head with washer. Available in painted and galvanized.	12 x 1"	100/Bag	2,500/Box
		12 x 1-1/2"	100/Bag	2,000/Box
		(available upon request) 12 x 2"	100/Bag	1,500/Box
	#14 Tek Screw: Metal to metal, use for trim to panel, trim to trim and side lap attachment. 5/16" Hex head with washer. Available in painted and galvanized.	14 x 7/8"	100/Bag	2,500/Box
	#43 Rivet: Attaching trim to trim and trim to panel.	43 x 1/8"	100/Bag	
	#6 Bugle Screw: Galvanized Bugle screws can be used for attaching the panels to a wood deck or substrate, spacing the screw about 18" to 24" along the fastening leg.	#6 x 1"	100/Bag	
		#6 x 1-5/8"	100/Bag	
		#6 x 2-1/4"	100/Bag	
		#6 x 2-1/2"	100/Bag	

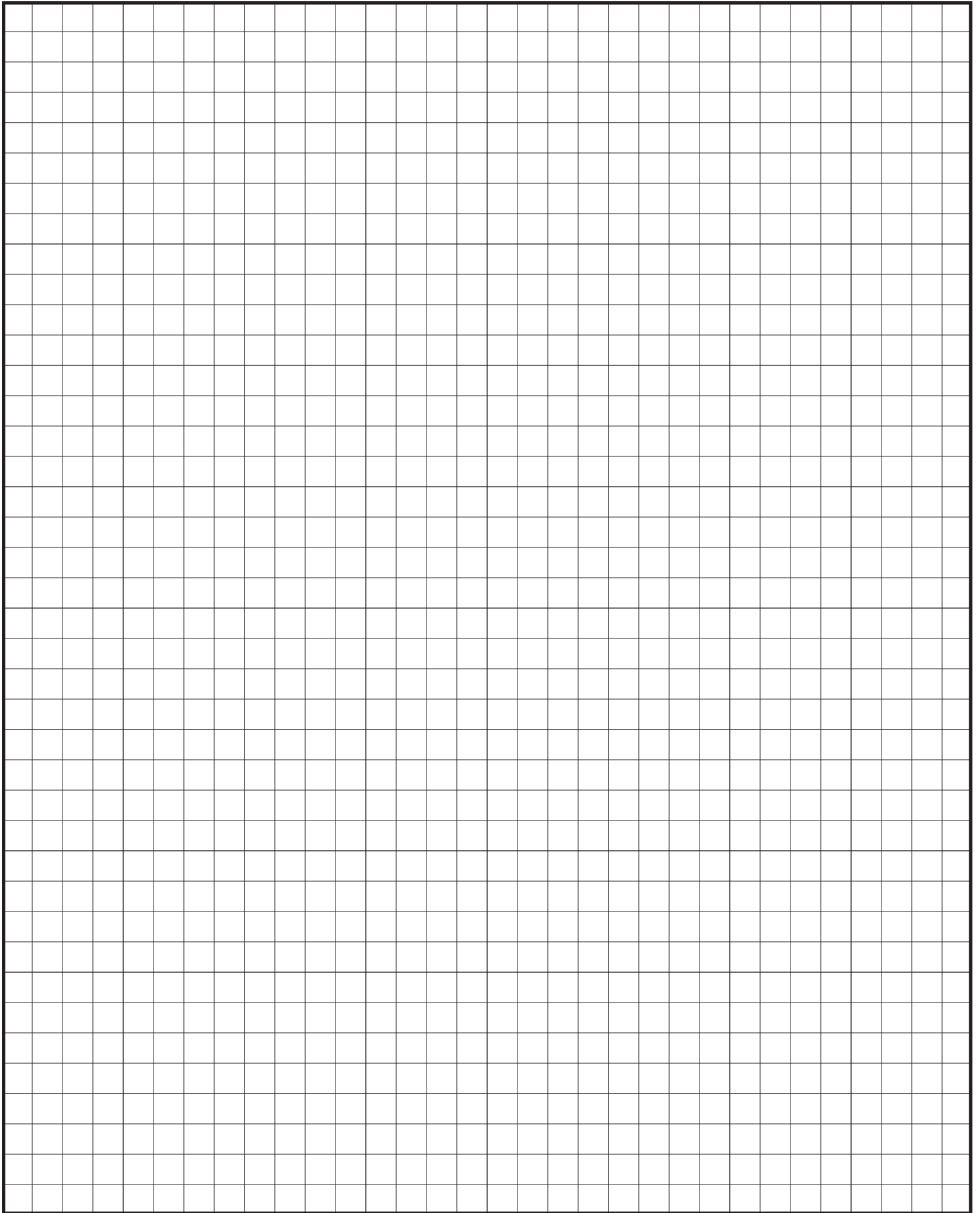
	Nuttsetter		
	1/4" Magnetic		
	5/16" Magnetic		
	Butyl Mastic Tape		Quantity
	1/8" x 1/2"		50 feet per roll
	3/32" x 3/4"		50 feet per roll
	Pipe Flashing No.	Temperature Rating: -30°F to 250°F Gray - Standard Round	Temperature Rating: 250°F to 390°F Orange - High Temp.
	#1	1/4" to 2"	-
	#2	1-3/4" to 3-1/4"	-
	#3	1/4" to 3-1/4"	-
	#4	3" to 6"	3" to 6"
	#5	4" to 7"	-
	#6	5" to 9"	5" to 9"
	#7	6" to 11"	6" to 11"
	#8	7" to 13"	7" to 13"
	#9	10" to 18"	10" to 18"
	Pipe Flashing	Gray - Retrofit Round	
	Small	3-1/4" to 2-3/4"	
	Medium	2" to 7-1/4"	
	Large	3-1/4" to 10"	

Through Fastener Accessories



Closures		
Universal Closure	1" x 1" x 25'	
Universal Closure	1-1/2" x 1-1/2" x 25'	
Universal Closure	2 x 2 x 25'	
Ultra-Panel, Hi-Rib, Wide-Rib™, 4-V Panel, PBR, Marion "R" Panel, GR7 - Outside Formed Closure (top of panel)	36" coverage	
Ultra-Panel, Hi-Rib, Wide-Rib™, 4-V Panel, PBR, Marion "R" Panel, GR7 - Inside Formed Closure (bottom of panel)	36" coverage	
2.5" Corrugated Foam Closure	24" coverage	
Classic 7/8" Corrugated Foam Closure	37" coverage	
HR-34™ Foam Closure	34" coverage	
Caulking		
Marco Weather-Tite™ Roof Sealant	available per tube or case	
FlexSeal™ Sealant	available per tube or case	
Fly Screen		
Ridge Flyscreen - Fiberglass (used for vented ridge - over plywood)	8" x 100' roll	
Touch-Up Paint		
Spray Can - Kynar 500® and ArmorTech (all colors)	5.5 oz.	
Pen - Kynar 500® (Black, Glacier White, Sterling Grey, Zinc Grey, Charcoal Grey, Forest Green, Tile Red, Medium Bronze, Dark Bronze and Weathered Zinc)	*Special order for other colors	
Underlayment - These Underlayments are for roofs requiring plywood sheeting.		
Synthetic Roofing Underlayment	10 square roll	
Self-Adhering Underlayment (high temperature)	2 square roll	
Insulation	*Custom length sizes available	Standard Lengths
2" Blanket Insulation (VRR Backed)		6' x 27' roll
2" Blanket Insulation (VRR Backed)		6' x 33' roll
2" Blanket Insulation (VRR Backed)		6' x 39' roll
2" Blanket Insulation (VRR Backed)		6' x 43' roll
2" Blanket Insulation (VRR Backed)		6' x 50' roll
2" Blanket Insulation (VRR Backed)		6' x 120' roll

Vapor Barrier	
Dura-Skrim®	8' x 65', 8' x 125', 14' x 100', 14' x 155', 14' x 210', and 20' x 100' rolls
Barrier Tape	
Insulation Tape	3" x 150' roll
Polycarbonate Panels	
Wide-Rib™ - White & Clear	10', 12', 16,' & 24' (please inquire for custom lengths)
Ultra-Panel - White, Clear & (Smoke: 24" only)	2', 8', 10', 12', 16,' & 24' (please inquire for custom lengths)
PBR - White & Clear	10', 12', & 16' (please inquire for custom lengths)
Fiberglass Panels	
PBR - White	12' & 16' (8oz) (please inquire for custom lengths)
Ultra-Panel - White	24' (5oz) (please inquire for custom lengths)
2.5" Corrugated - White	12' (8oz) (please inquire for custom lengths)
Classic 7/8" Corrugated™ - White	12' (8oz) (please inquire for custom lengths)
GR-7™ - White	24' (8oz) (please inquire for custom lengths)
Gutter Coil Stock 16-¾" Maximum - slit to your width (priced per lineal foot)	
Other 26 & 24 GA gutter coil is available, please inquire.	
Painted 26 GA Grade 50	Charcoal Grey, Sterling Grey, Glacier White, Tile Red, Pine Green, Forest Green, Pacific Blue, and Dark Bronze
Bare 24 GA Grade 55	Zincalume® Plus, AZ-55 (No finish warranty – 25 yr. perforation warranty)
Flat Stock	
\$35.00 Pallet Deposite Required	
Painted 29 GA	40-7/8" x 12-1/2'
Bare 29 GA	40-7/8" x 12-1/2'
Painted 26 GA	43" x 12-1/2"
Bare 26 GA	43" x 12-1/2"
Painted 24 GA or 22 GA	48" x 12-1/2' and 48" x 10'




Customer Name: _____

Job Name: _____

Gauge: _____

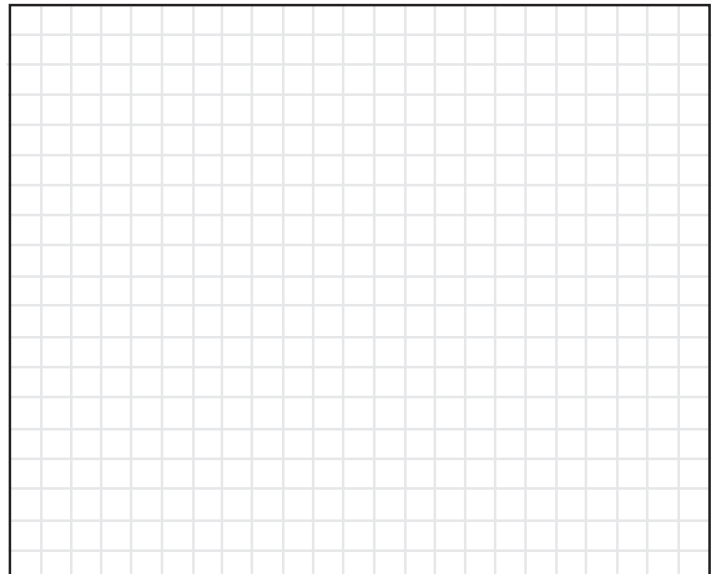
Color: _____



Drawing #: _____ Pitch: _____ # of Pieces: _____

Description: _____


Hems: Open Closed Slightly Open



Drawing #: _____ Pitch: _____ # of Pieces: _____

Description: _____

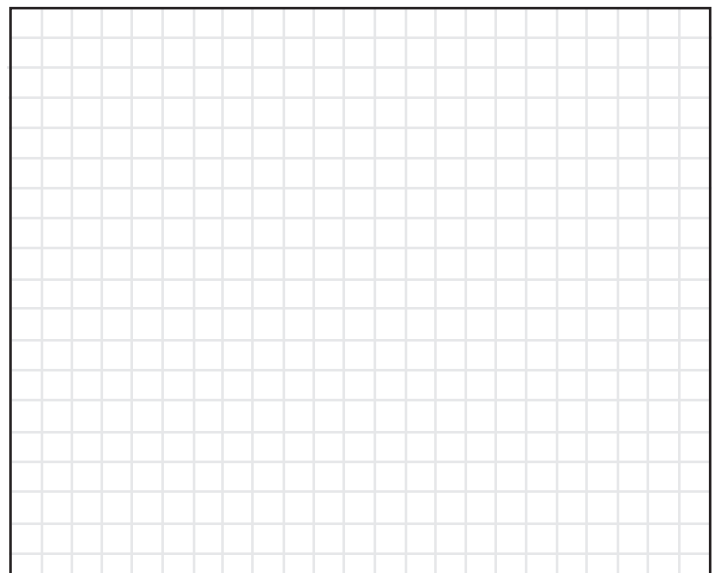
Hems: Open Closed Slightly Open



Drawing #: _____ Pitch: _____ # of Pieces: _____

Description: _____

Hems: Open Closed Slightly Open



Drawing #: _____ Pitch: _____ # of Pieces: _____

Description: _____

Hems: Open Closed Slightly Open

Please provide a drawing for each flashing with precise measurements and angles
Fax to: 425-485-2710



CHAMPION METAL
a Taylor Metal Company

WOODINVILLE BRANCH

5927 234th St. SE
Woodinville, WA 98072

Office: 425-485-3003
Toll Free: 1-855-334-8558
Fax: 425-485-2710

www.championmetal.com